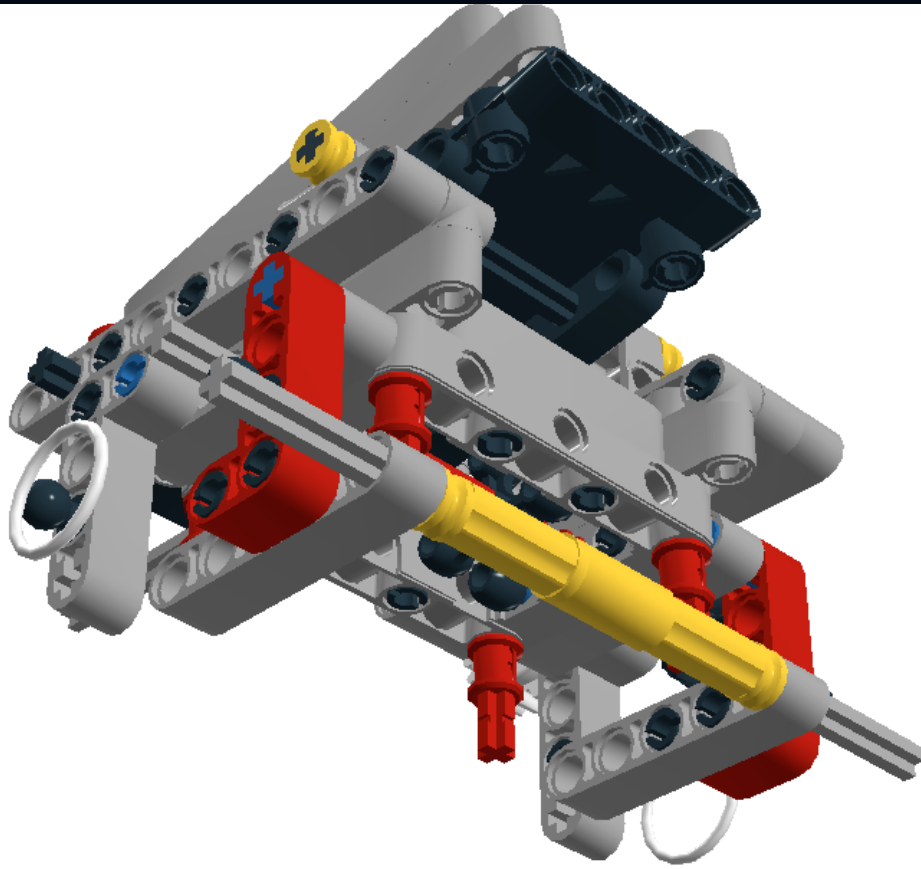
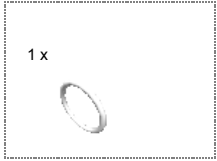


LEGO DIGITAL DESIGNER 4.2

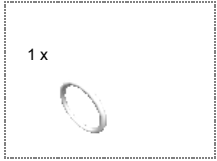
Model Name:
Dump Gear Attachment
Number of Bricks: **104**



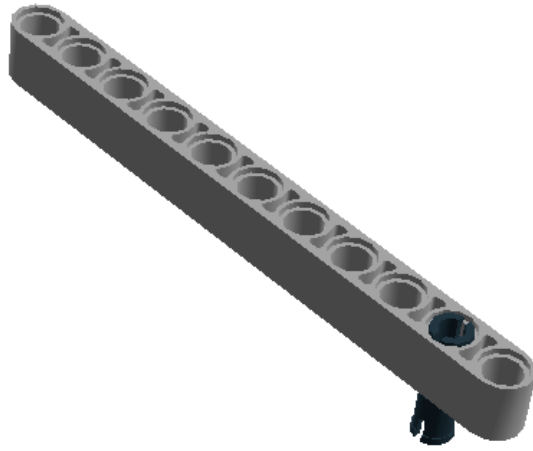
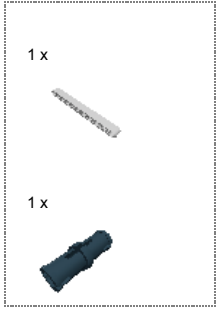
Step 1 of 44



Step 2 of 44

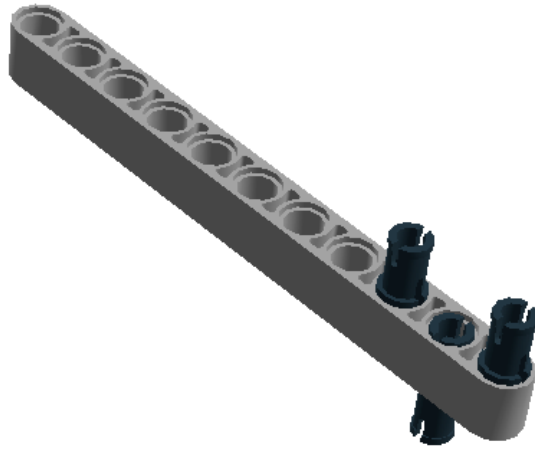


Step 3 of 44

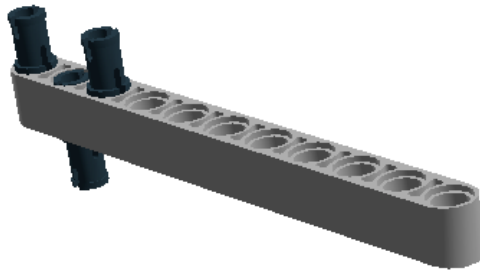
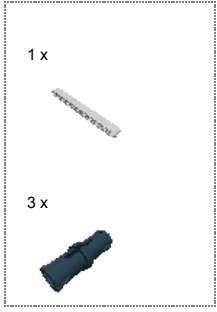


Step 4 of 44

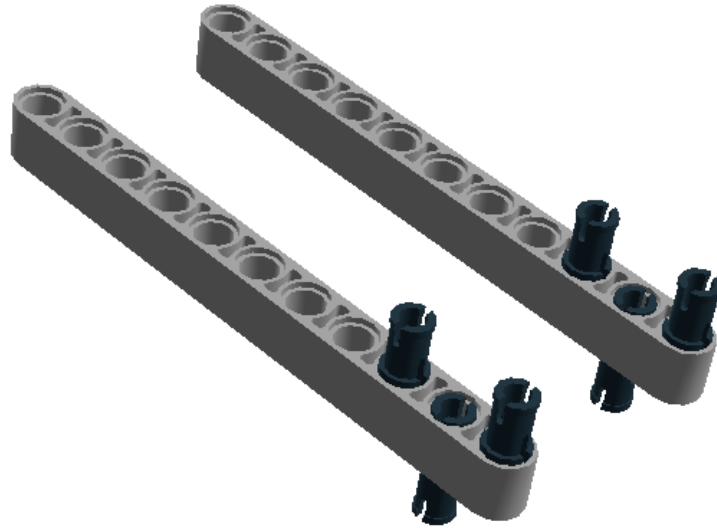
2 x



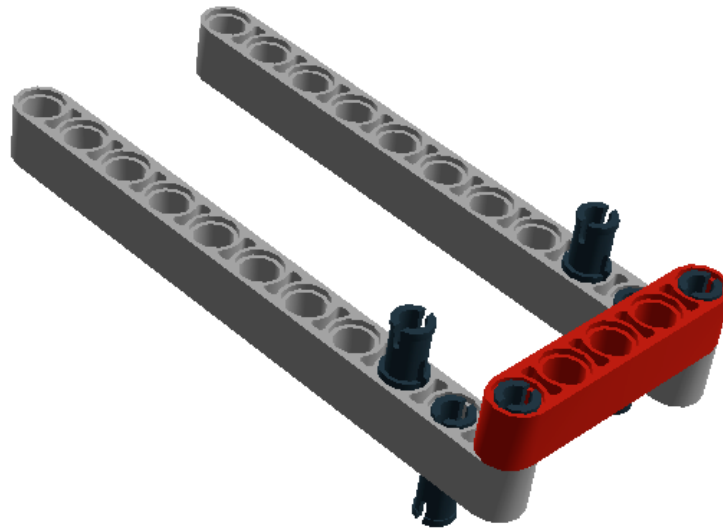
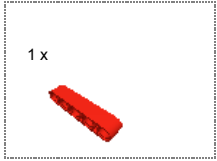
Step 5 of 44



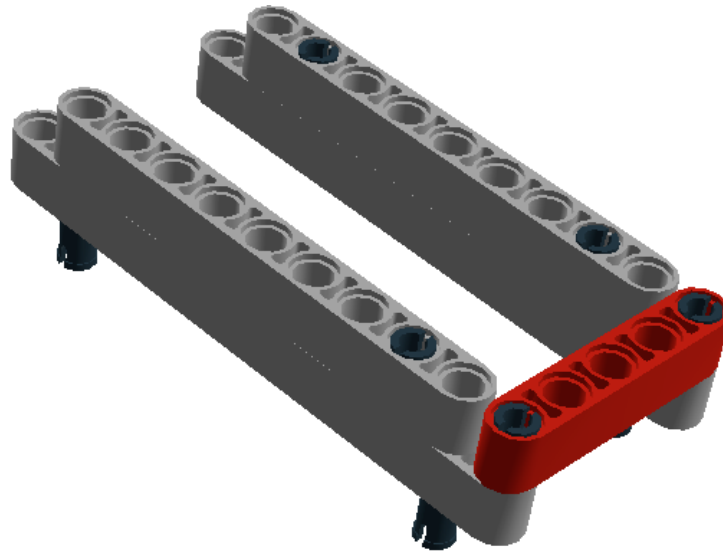
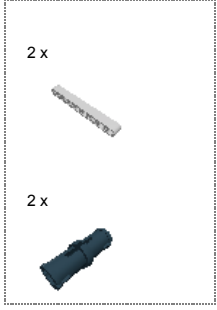
Step 6 of 44



Step 7 of 44

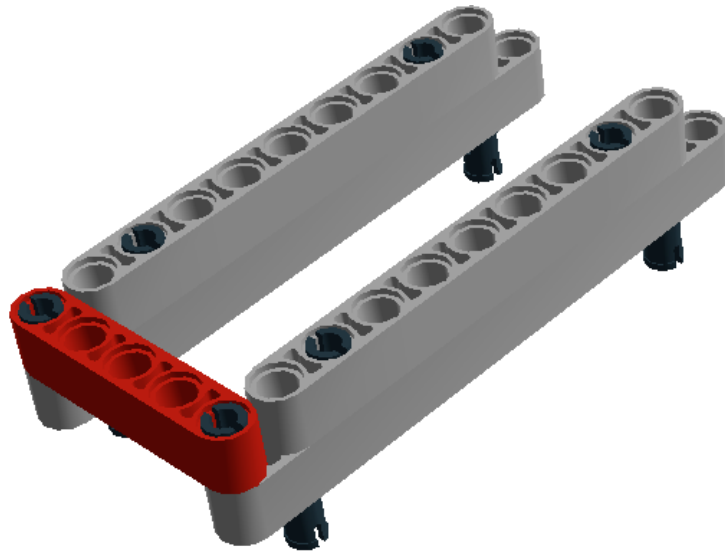


Step 8 of 44

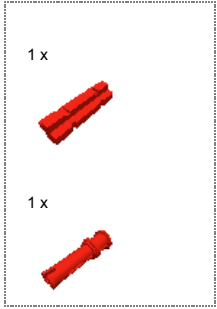


Step 9 of 44

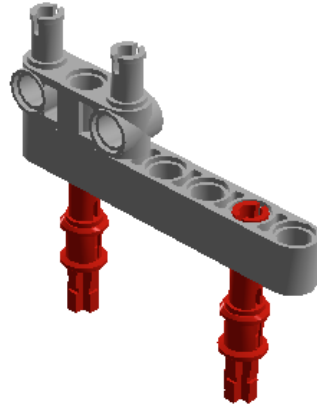
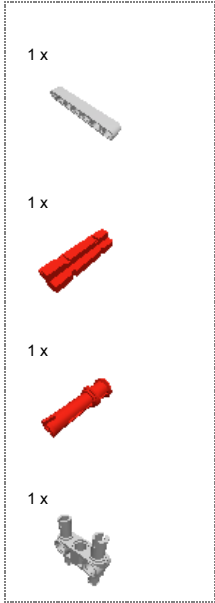
2 x



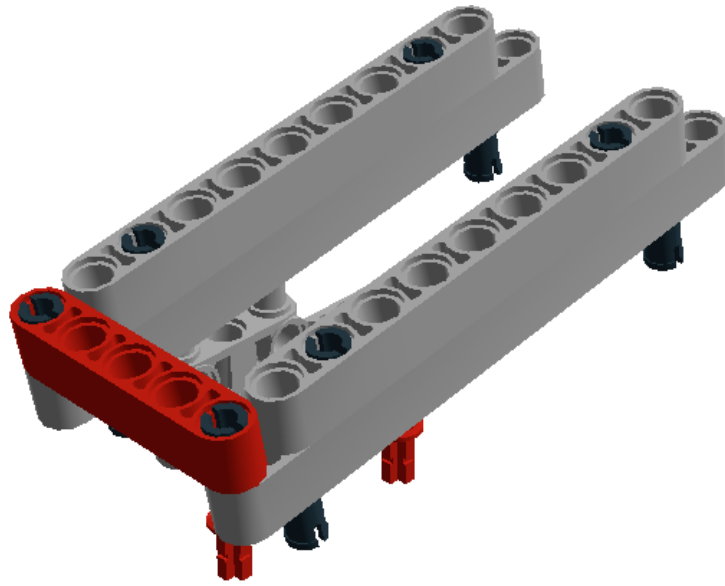
Step 10 of 44



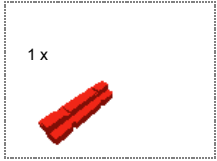
Step 11 of 44



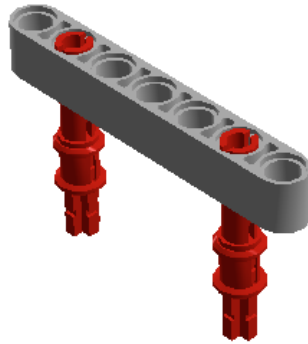
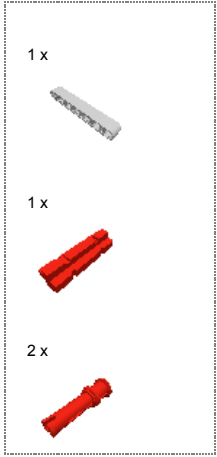
Step 12 of 44



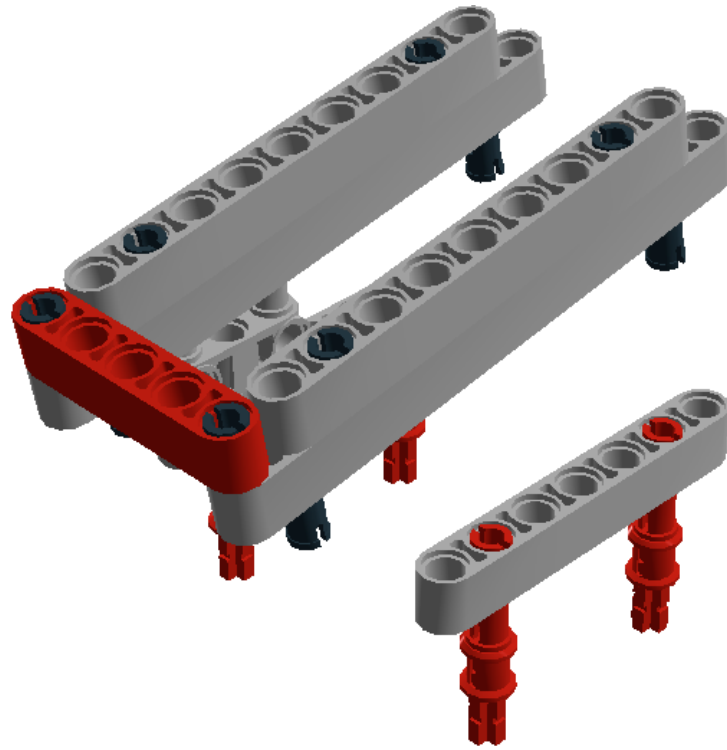
Step 13 of 44



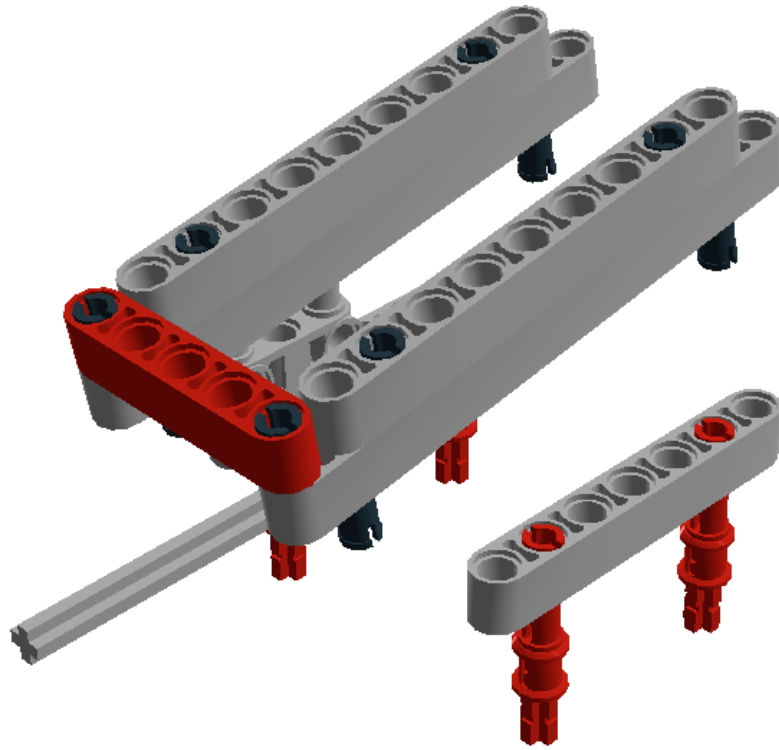
Step 14 of 44



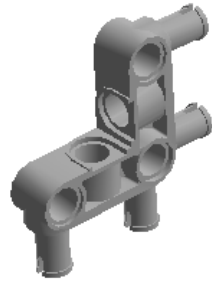
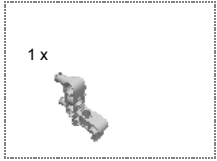
Step 15 of 44



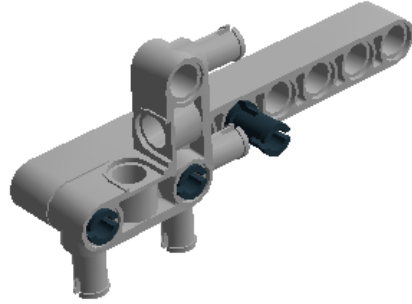
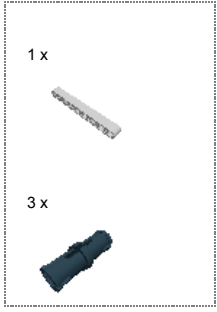
Step 16 of 44



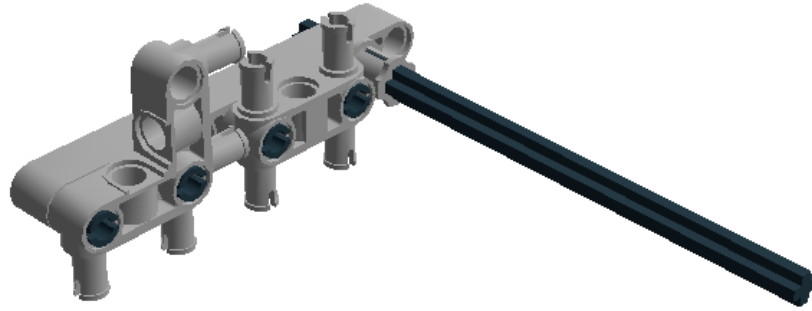
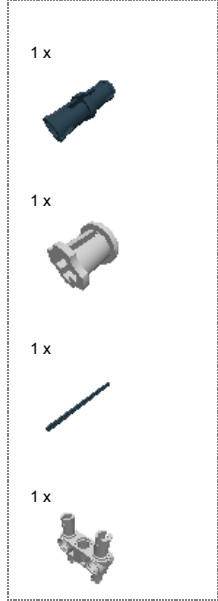
Step 17 of 44



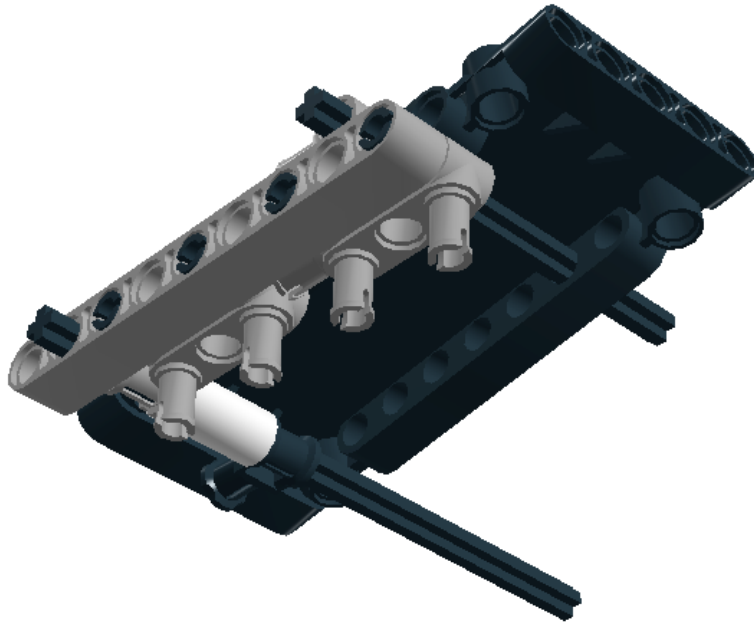
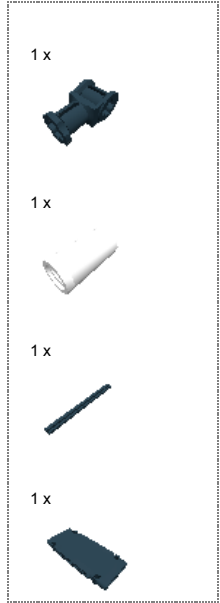
Step 18 of 44



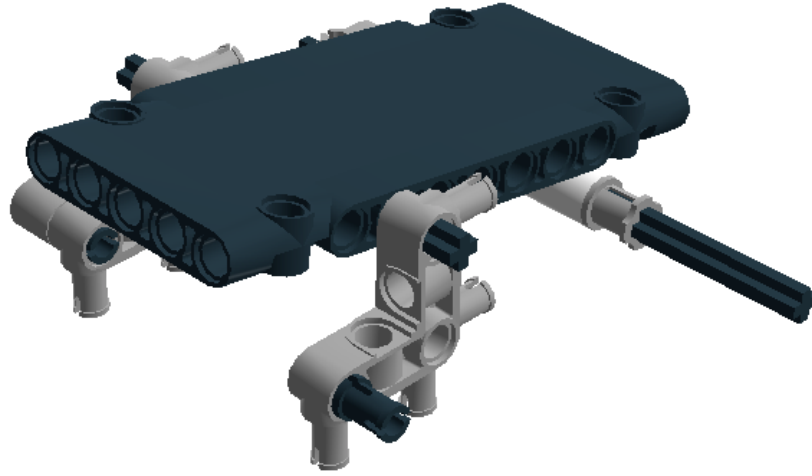
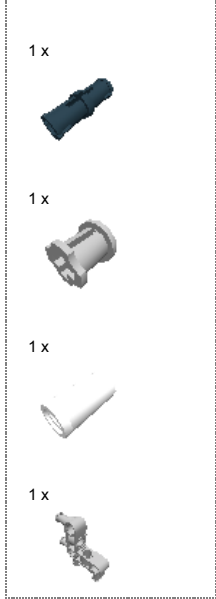
Step 19 of 44



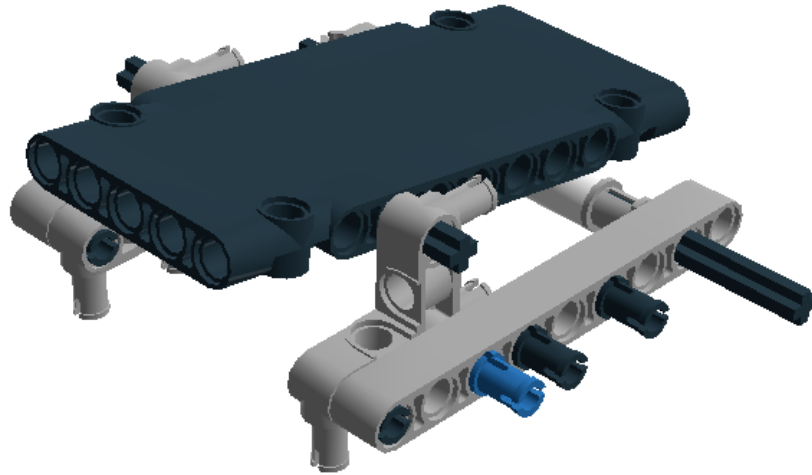
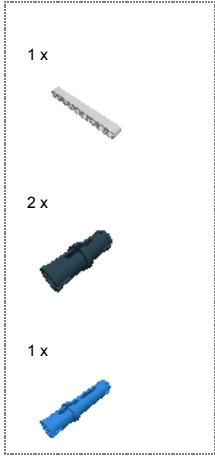
Step 20 of 44



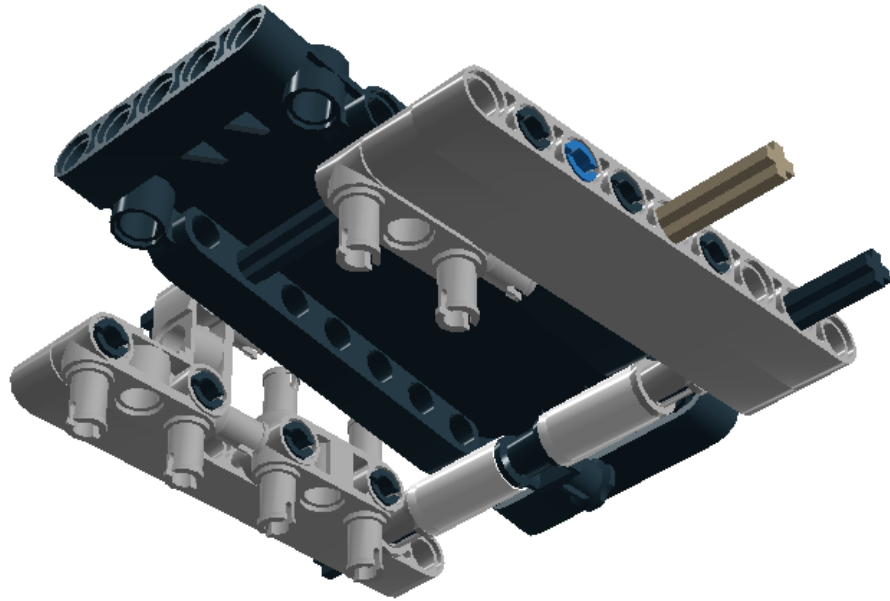
Step 21 of 44



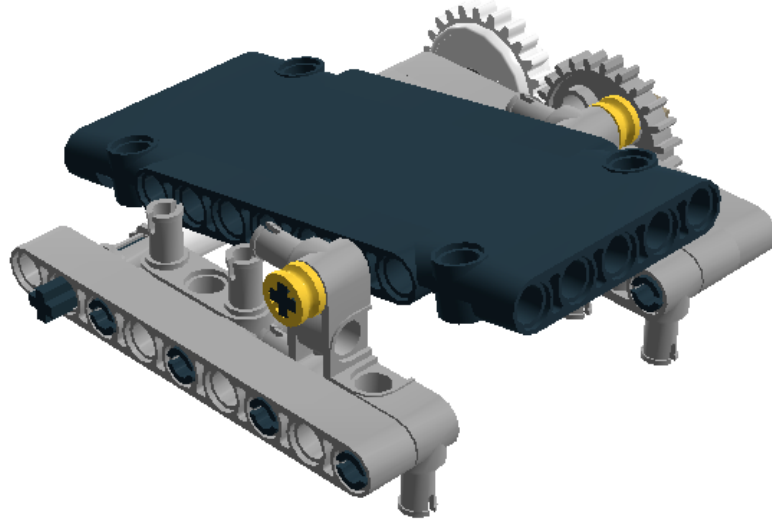
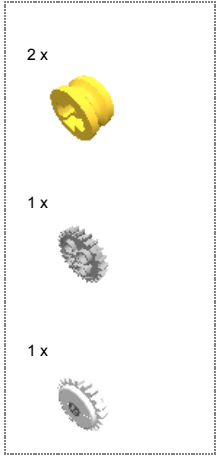
Step 22 of 44



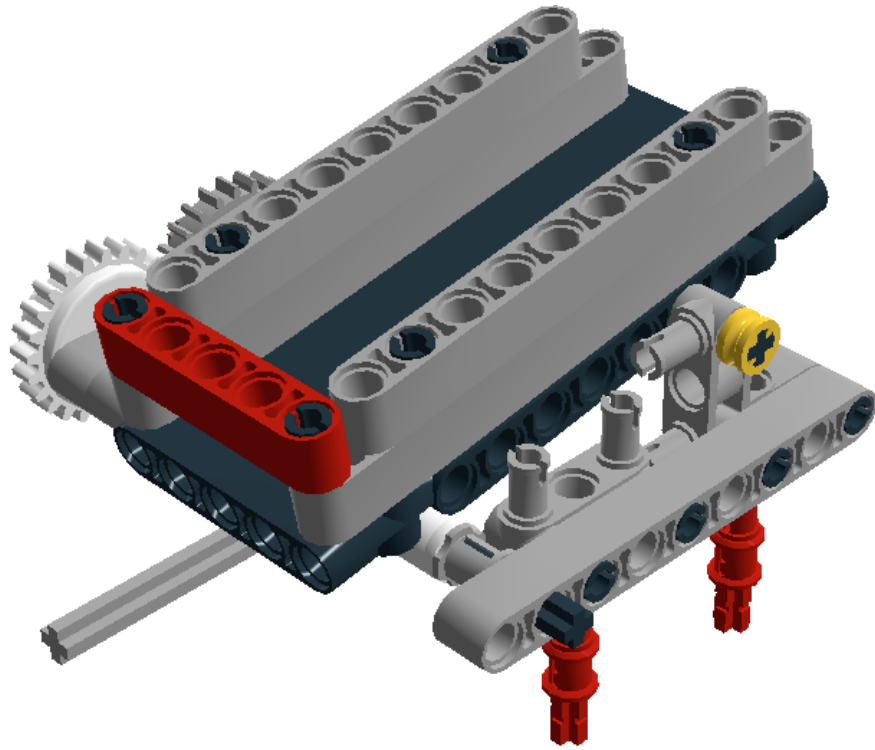
Step 23 of 44



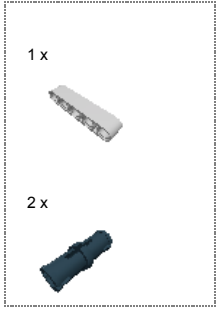
Step 24 of 44



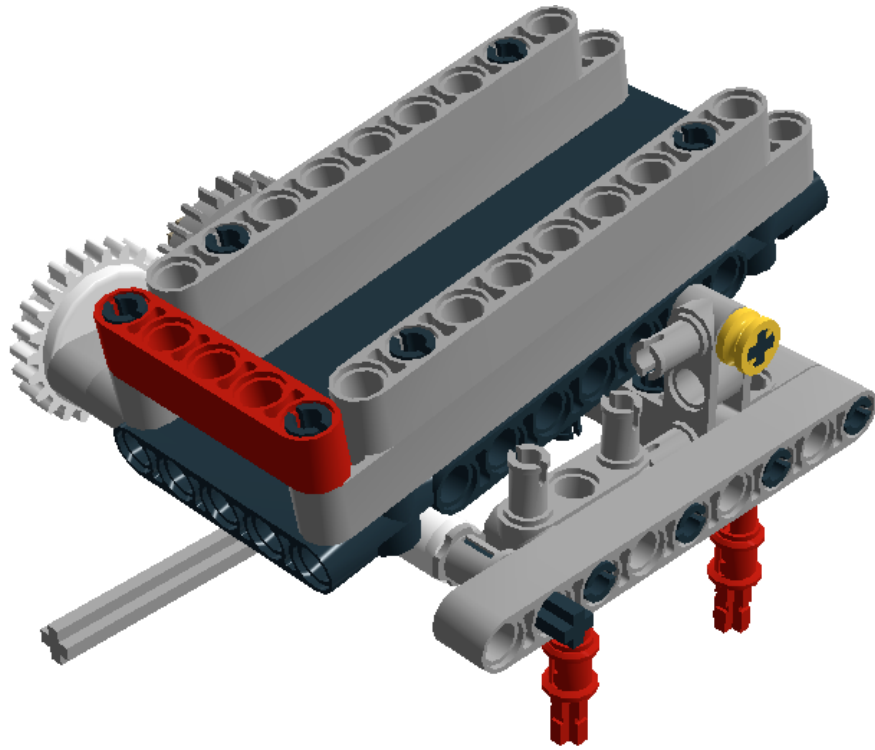
Step 25 of 44



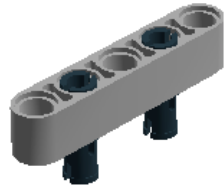
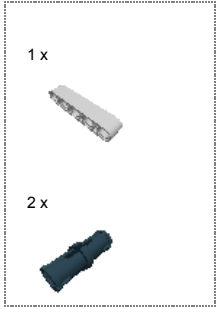
Step 26 of 44



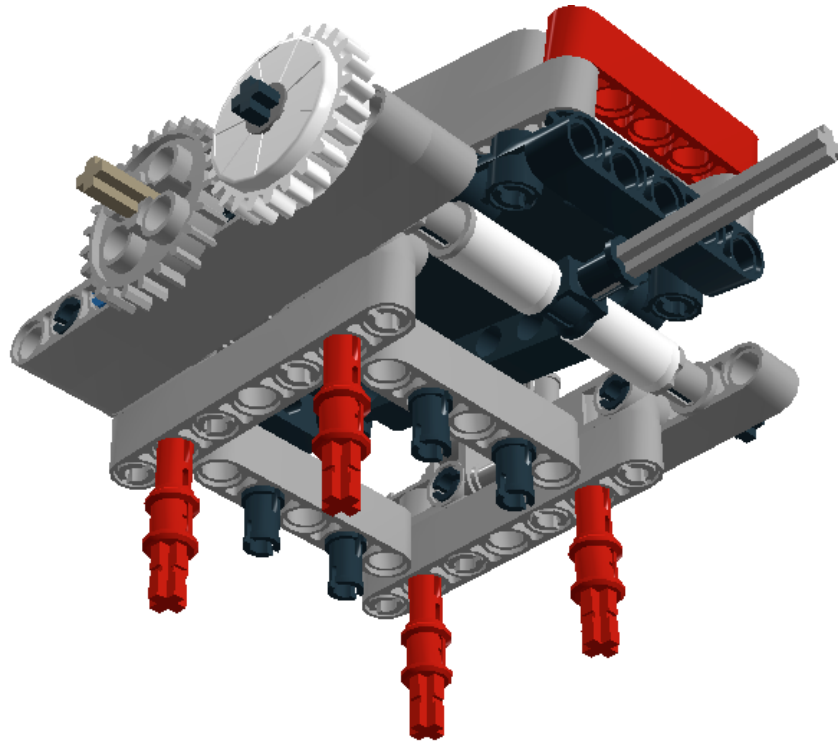
Step 27 of 44



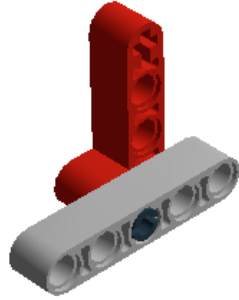
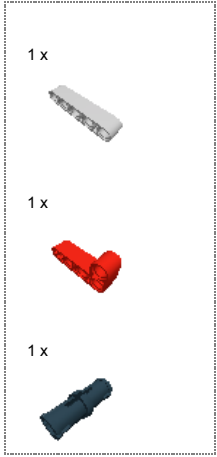
Step 28 of 44



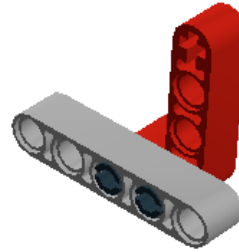
Step 29 of 44



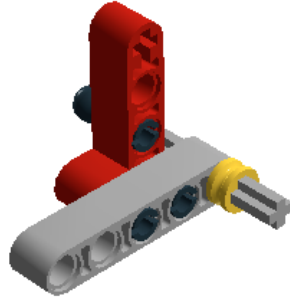
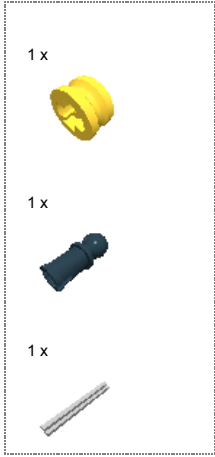
Step 30 of 44



Step 31 of 44



Step 32 of 44



Step 33 of 44

1 x



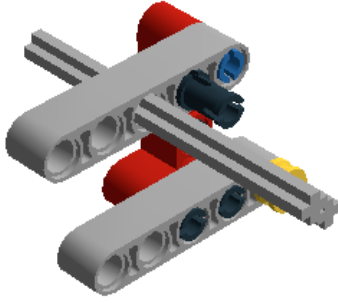
1 x



1 x



1 x



Step 34 of 44

1 x



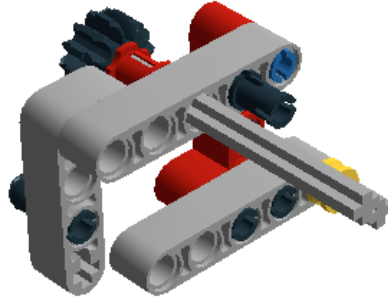
1 x



1 x



1 x



Step 35 of 44

1 x



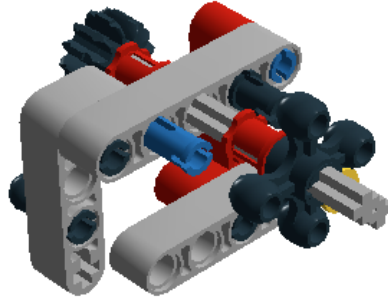
1 x



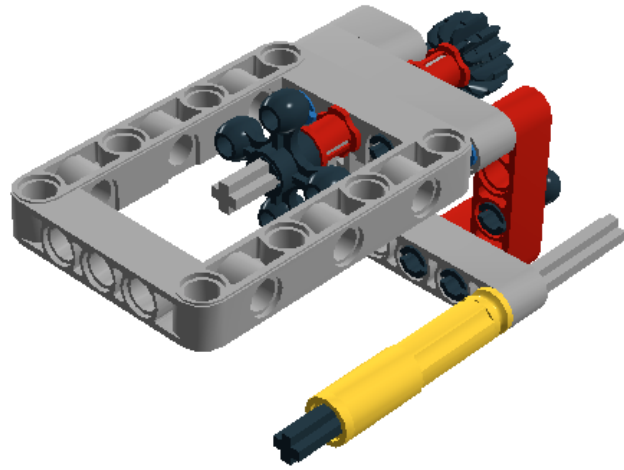
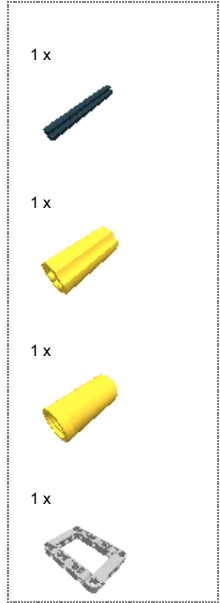
1 x



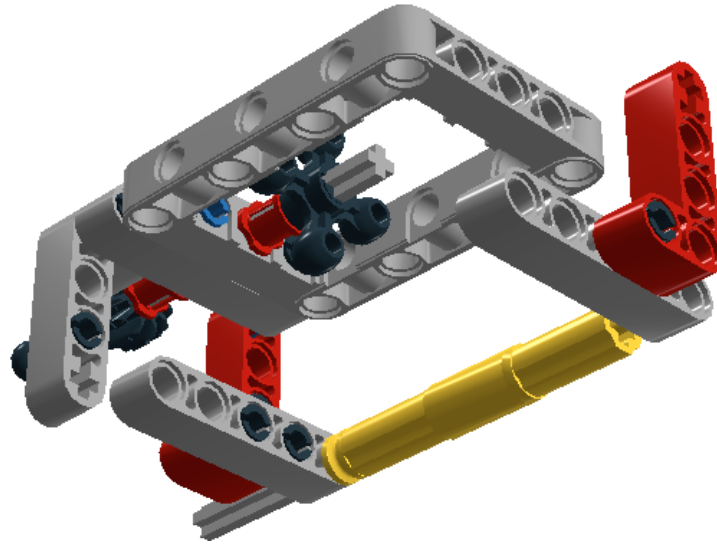
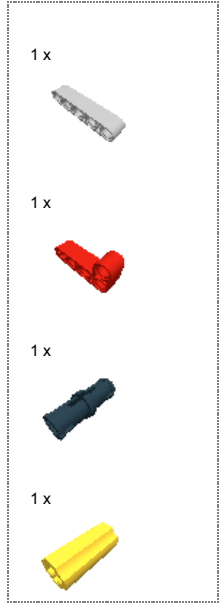
1 x



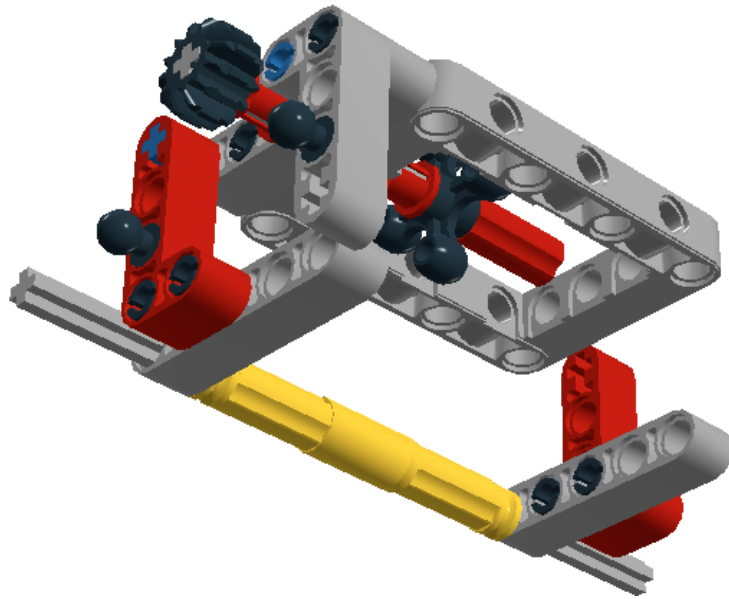
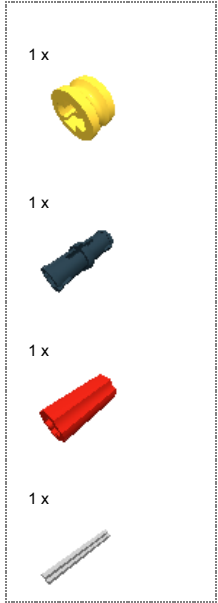
Step 36 of 44







Step 37 of 44

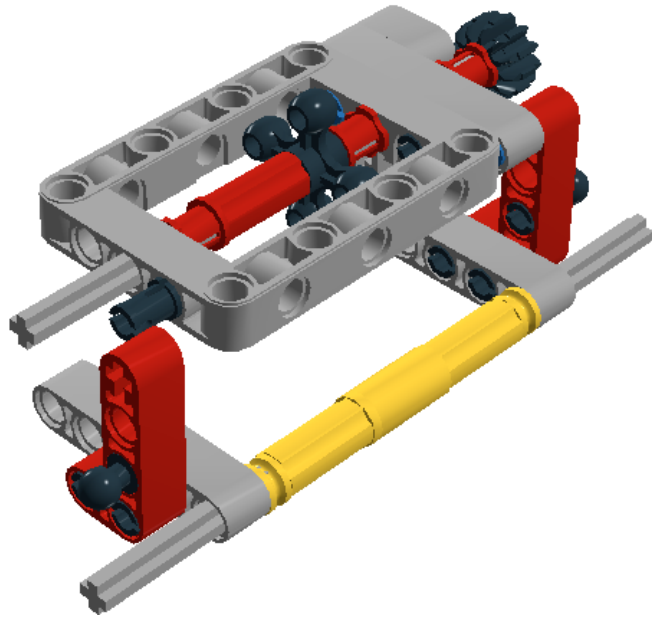


Step 38 of 44


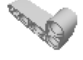




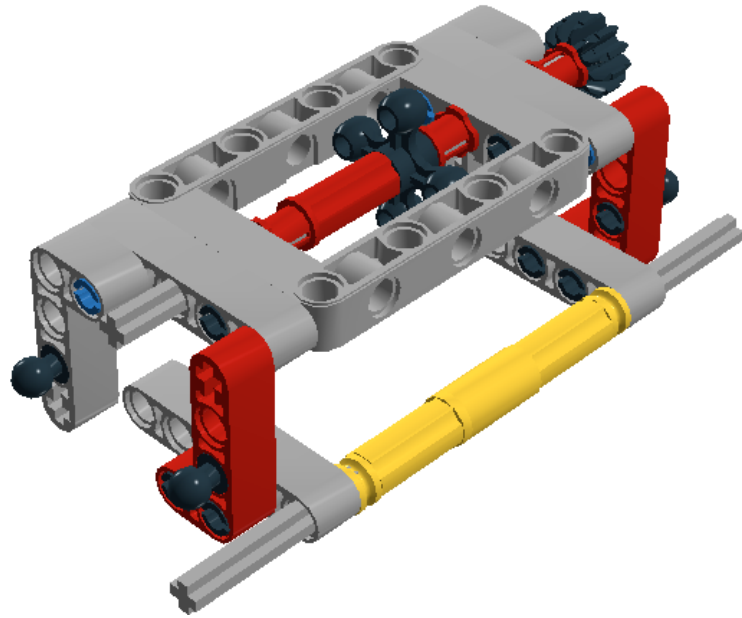
Step 39 of 44

- 1 x 
- 1 x 
- 1 x 
- 1 x 

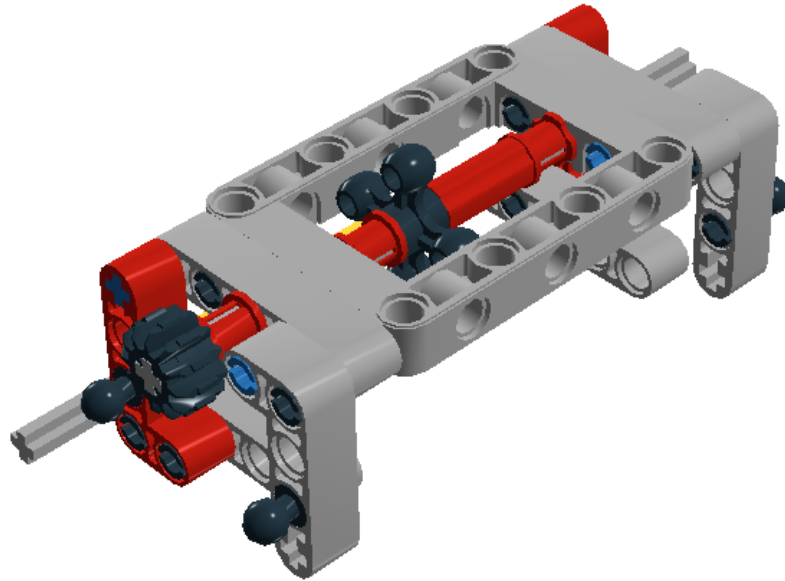


Step 40 of 44

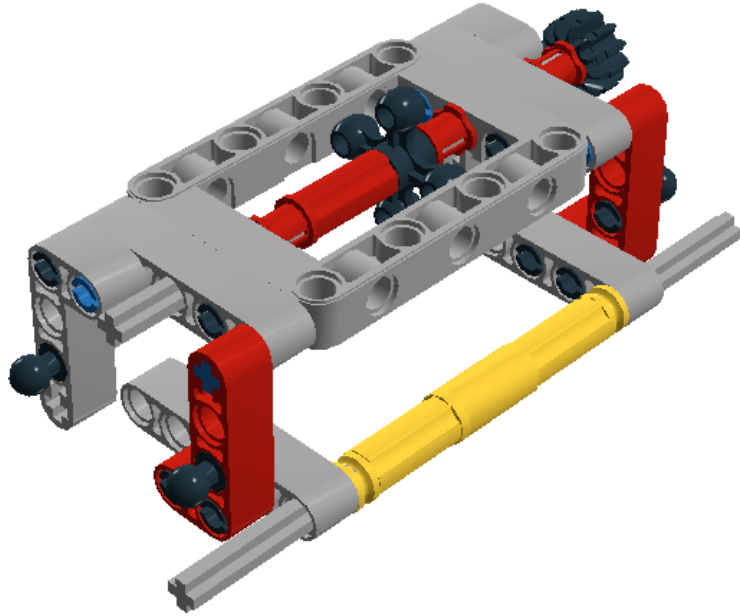
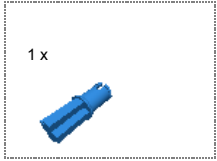
- 1 x 
- 1 x 
- 1 x 
- 1 x 



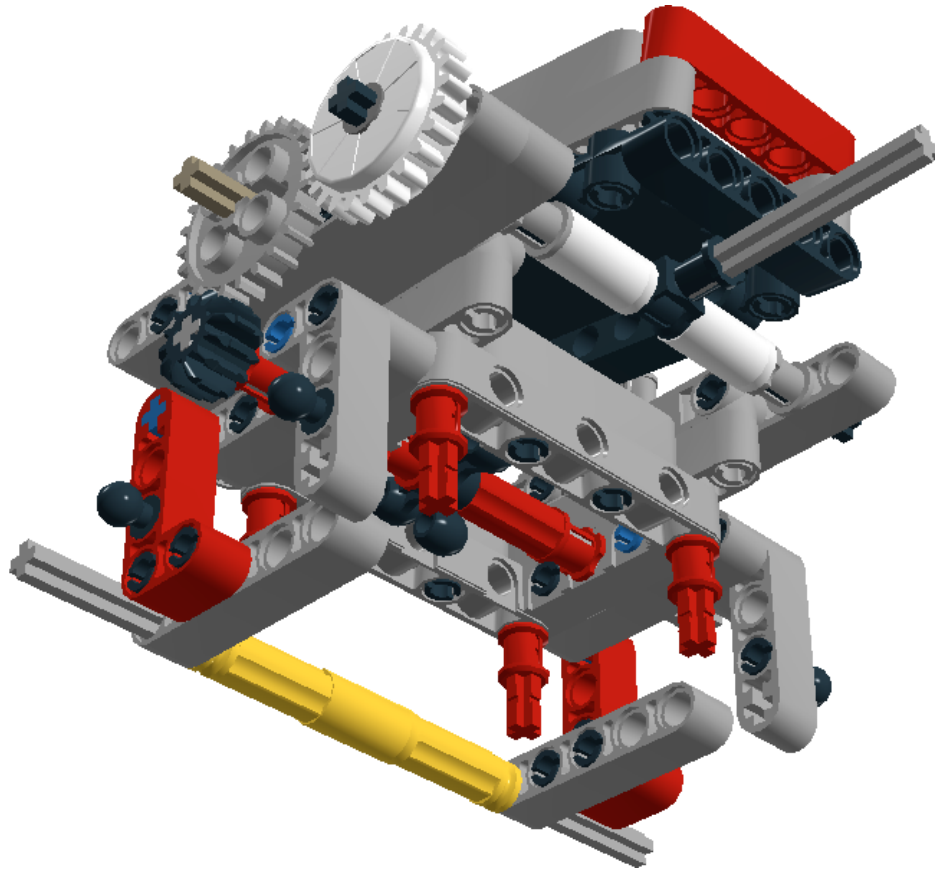
Step 41 of 44



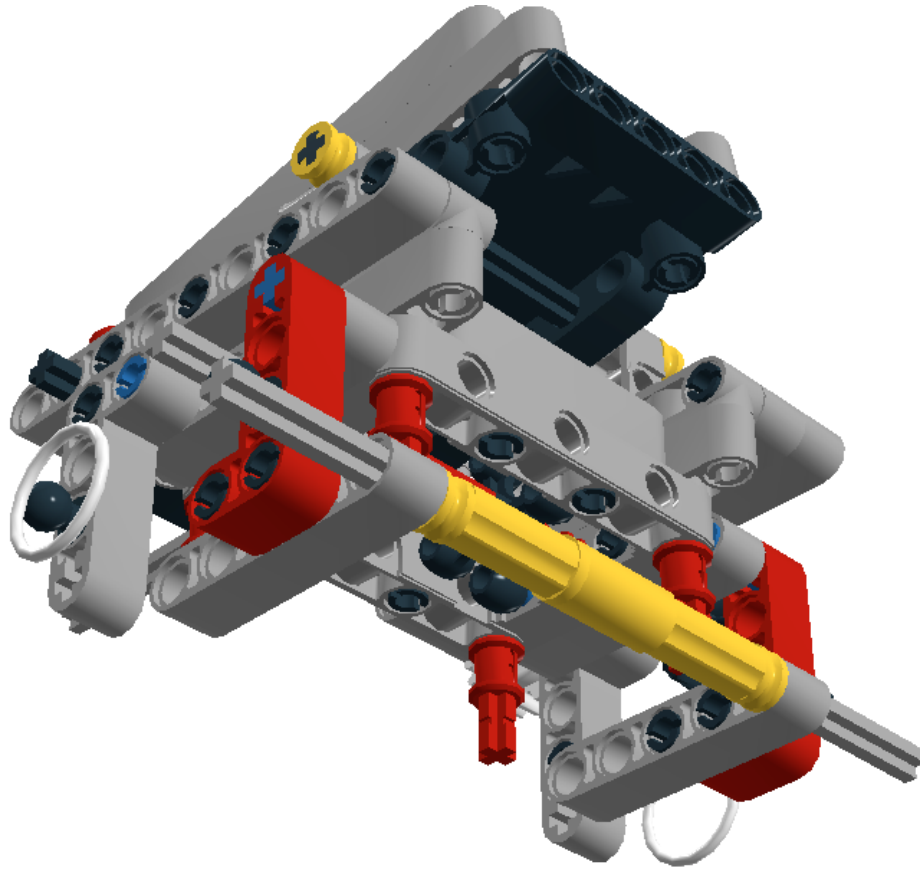
Step 42 of 44




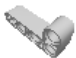












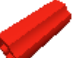





















Step 43 of 44



Step 44 of 44



- 6 x  4211651 TECHNIC 5M BEAM - Medium Stone Grey
- 1 x  4128589 TECHNIC 5M BEAM - Bright Red
- 2 x  4211665 TECHNIC 7M BEAM - Medium Stone Grey
- 2 x  4211610 TECHNIC ANG. BEAM 4X2 90 DEG - Medium Stone Grey
- 2 x  4125200 TECHNIC ANG. BEAM 4X2 90 DEG - Bright Red
- 5 x  4156308 TECHNIC 9M BEAM - Medium Stone Grey
- 2 x  4156151 TECHNIC 11M BEAM - Medium Stone Grey
- 4 x  4239601 1/2 BUSH - Bright Yellow
- 4 x  4142865 2M CROSS AXLE W. GROOVE - Bright Red
- 30 x  278026 CONNECTOR PEG W. FRICTION - Black
- 2 x  4211622 BUSH FOR CROSS AXLE - Medium Stone Grey
- 3 x  4227155 BUSH FOR CROSS AXLE - Bright Red
- 4 x  662826 BALL WITH FRICTION SNAP - Black
- 2 x  4189110 CONN. BUSH W. FRIC./CROSSALE - Bright Blue
- 1 x  370526 CROSS AXLE 4M - Black
- 3 x  4514553 CONNECTOR PEG W. FRICTION 3M - Bright Blue
- 1 x  4513174 CROSS AXLE, EXTENSION, 2M - Bright Red
- 2 x  4519010 CROSS AXLE, EXTENSION, 2M - Bright Yellow
- 1 x  4566927 CROSSAXLE 3M WITH KNOB - Sand Yellow
- 1 x  4107081 CATCH W. CROSS HOLE - Black
- 4 x  4211639 CROSS AXLE 5M - Medium Stone Grey
- 2 x  4526981 TUBE Ø7,84 2M - White
- 1 x  75644 TUBE Ø7,84 2M - Bright Yellow
- 4 x  4125198 2M FRIC. SNAP W/CROSS HOLE - Bright Red
- 1 x  4211805 CROSS AXLE 7M - Medium Stone Grey
- 1 x  370726 CROSS AXLE 8M - Black
- 1 x  370826 CROSS AXLE 12M - Black
- 2 x  4225033 BEAM 3 M. W/4 SNAPS - Medium Stone Grey
- 2 x  4296059 Angular beam 90deg. w.4 snaps - Medium Stone Grey
- 1 x  4539880 BEAM FRAME 5X7 Ø 4.85 - Medium Stone Grey
- 1 x  4566243 FLAT PANEL - Black
- 1 x  4177431 DOUBLE CONICAL WHEEL Z12 1M - Black
- 1 x  4248204 TECHNIC ANGULAR WHEEL - Black
- 1 x  4211565 GEAR WHEEL Z24 - Medium Stone Grey
- 1 x  4270486 TECHNIC COUPLING - White, Dark Stone Grey
- 2 x  70902 V-BELT Ø15, WHITE - White

