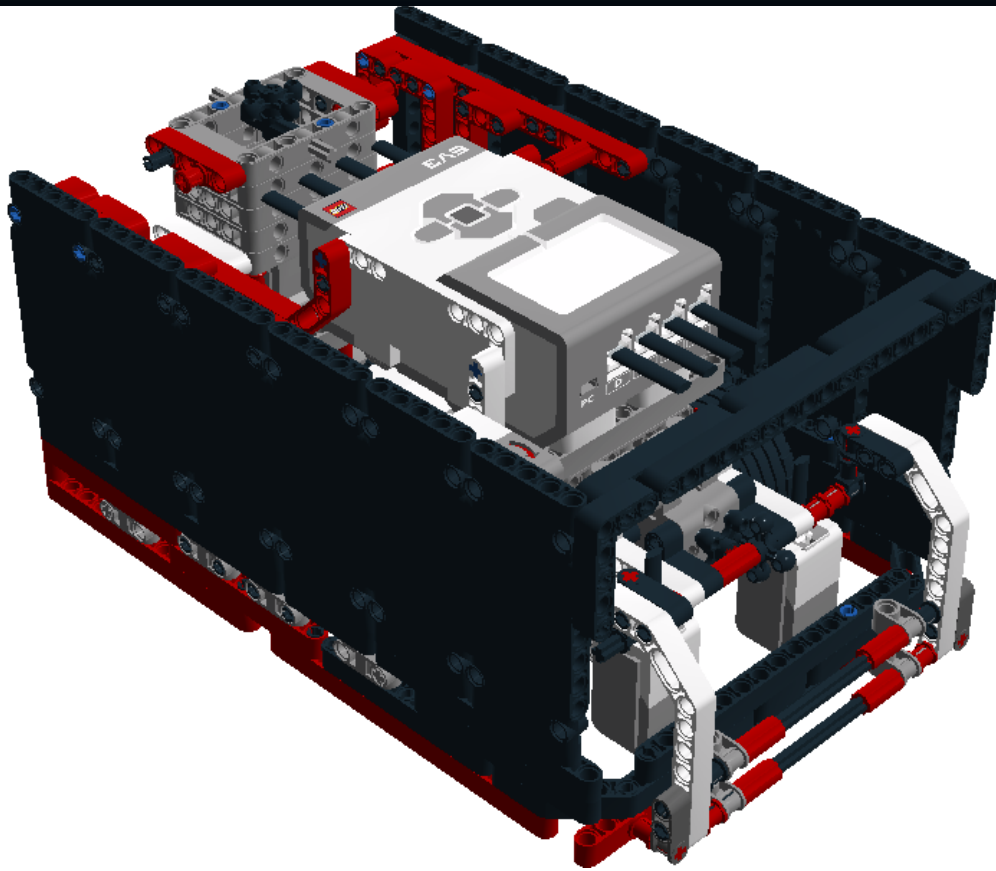


**LEGO** DIGITAL DESIGNER 4.2

Model Name:  
**StartingPointsRobot**  
Number of Bricks: **565**



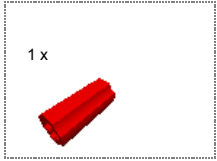
Step 1 of 207



Step 2 of 207

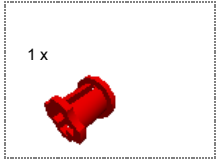


Step 3 of 207





Step 4 of 207



Step 5 of 207

1 x



1 x



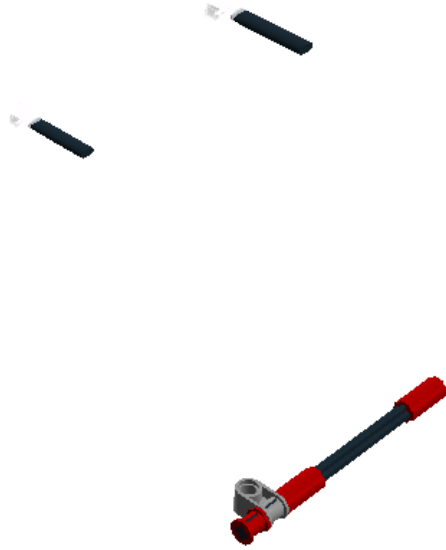
1 x



1 x



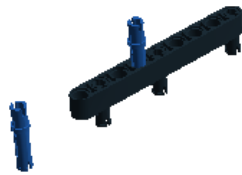
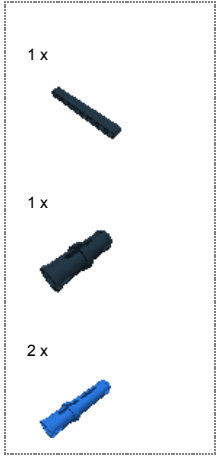
Step 6 of 207



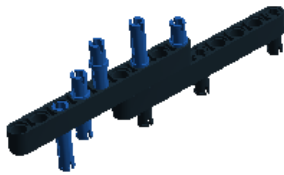
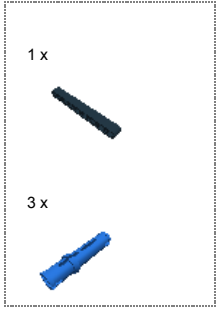
Step 7 of 207



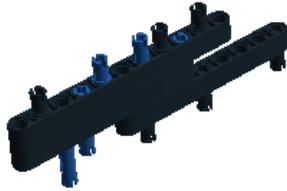
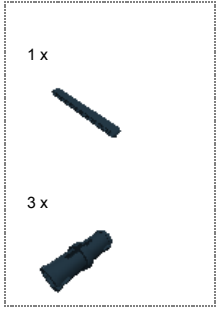
Step 8 of 207



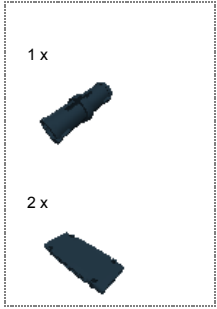
Step 9 of 207



Step 10 of 207

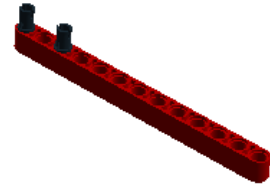
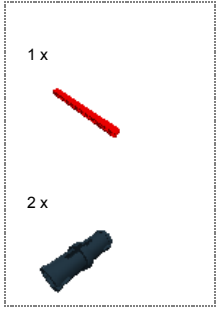


Step 11 of 207

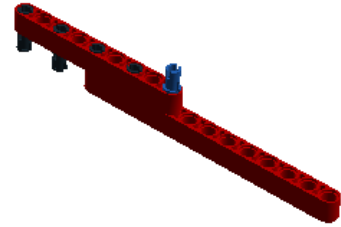
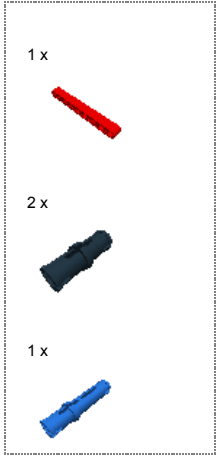




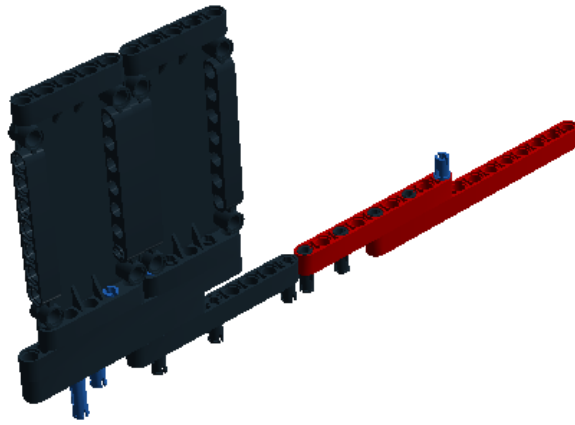
Step 12 of 207



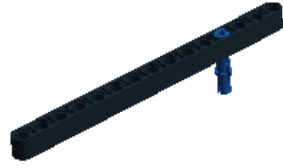
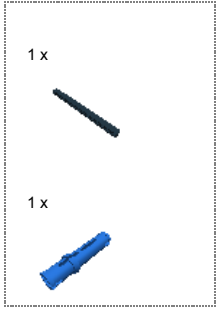
Step 13 of 207



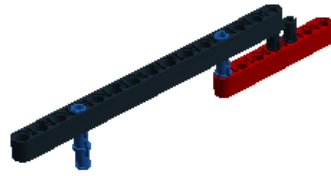
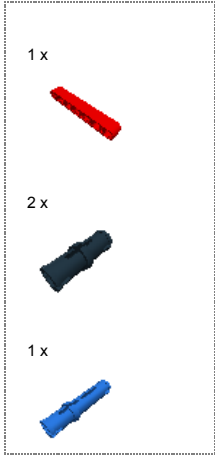
Step 14 of 207



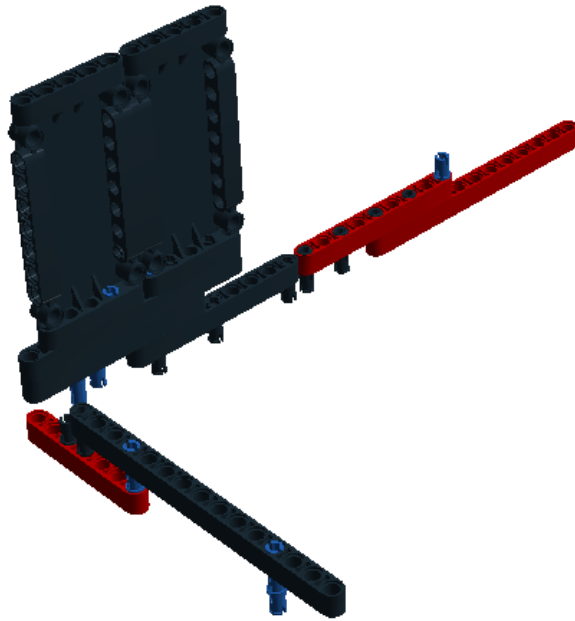
Step 15 of 207



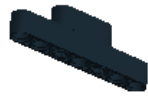
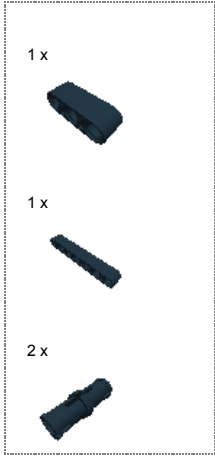
Step 16 of 207



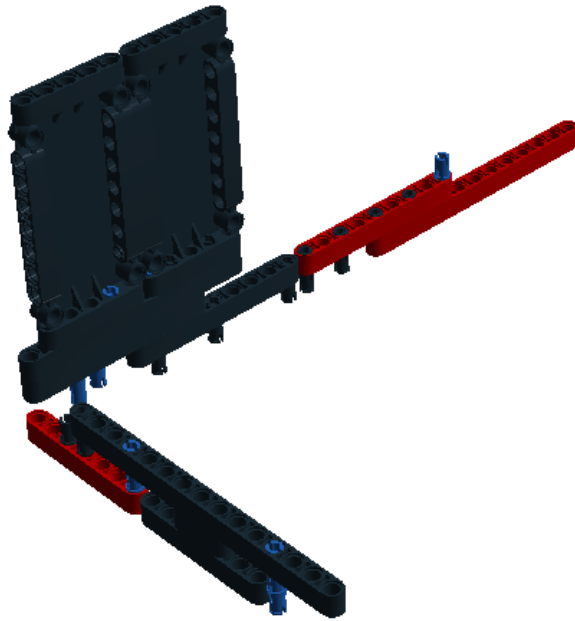
Step 17 of 207



Step 18 of 207

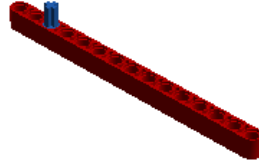
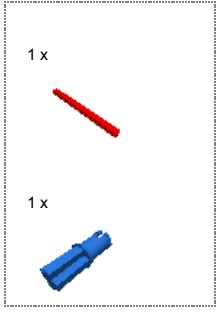


Step 19 of 207

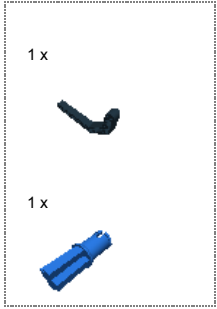




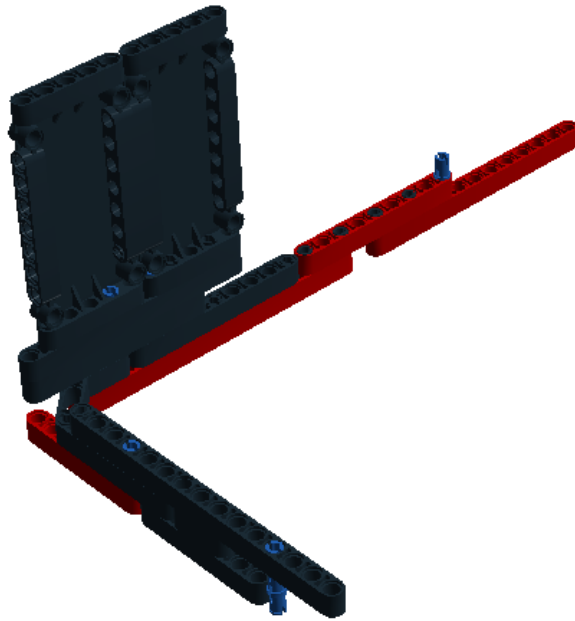
Step 20 of 207



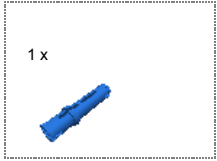
Step 21 of 207



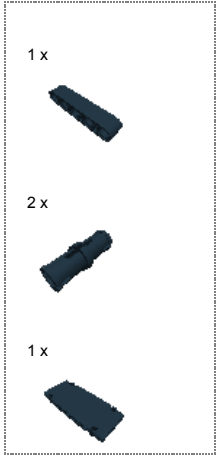
Step 22 of 207



Step 23 of 207



Step 24 of 207



Step 25 of 207



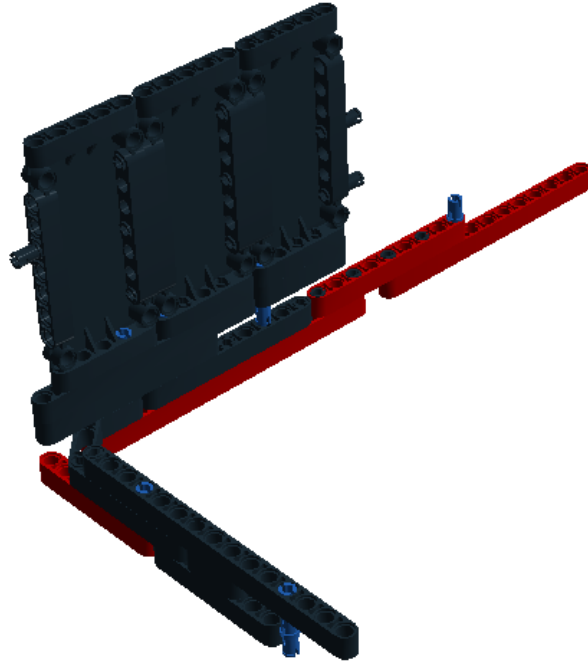
Step 26 of 207

4 x



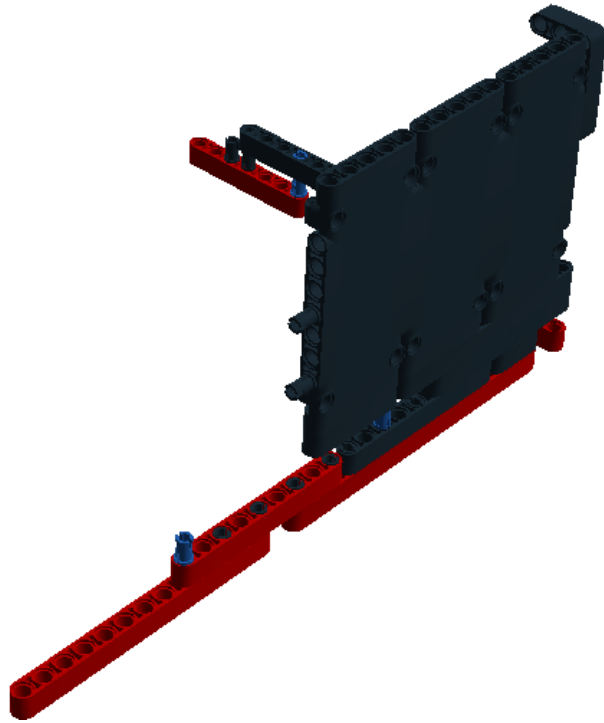
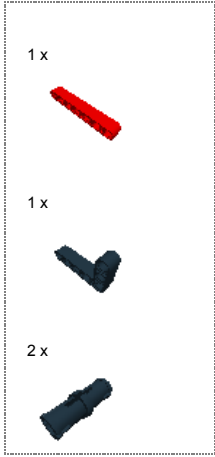
Step 27 of 207

4 x

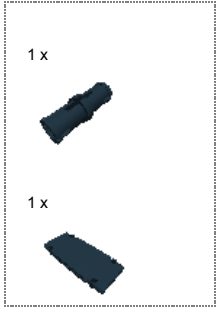




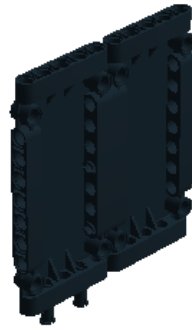
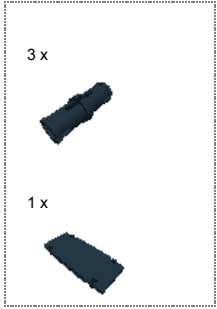
Step 28 of 207



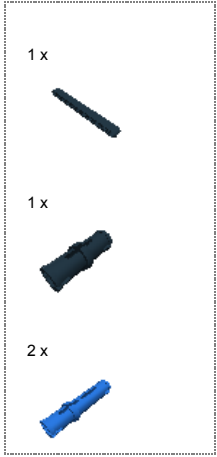
Step 29 of 207



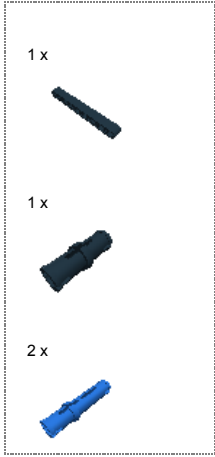
Step 30 of 207



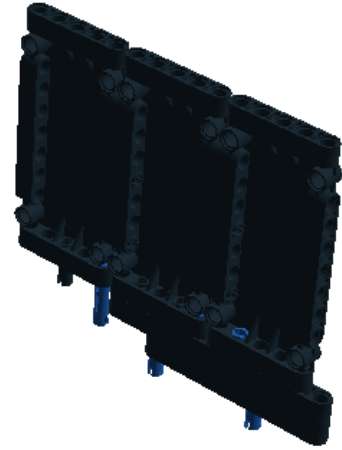
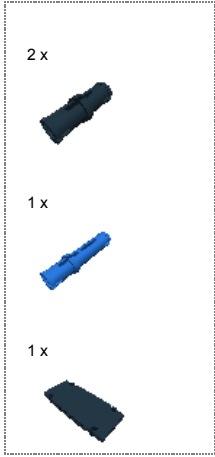
Step 31 of 207



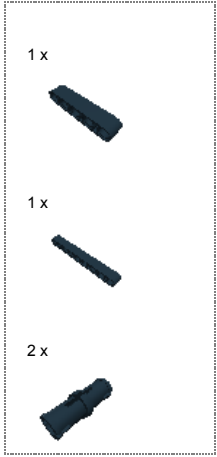
Step 32 of 207



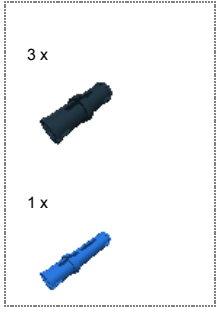
Step 33 of 207



Step 34 of 207

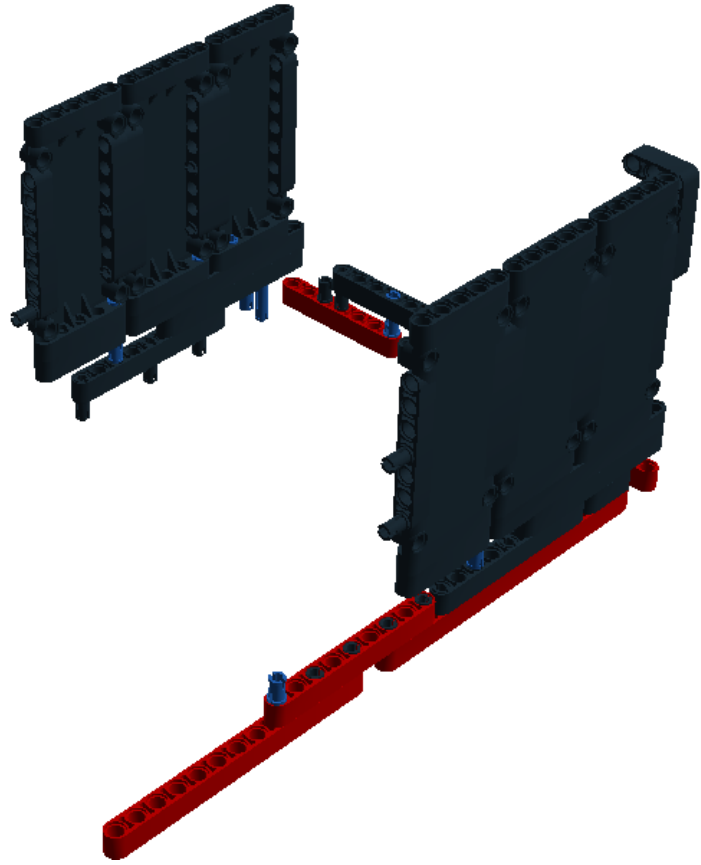


Step 35 of 207

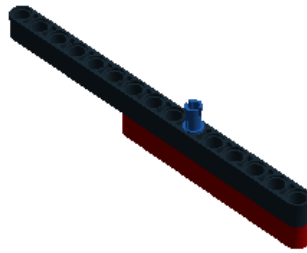
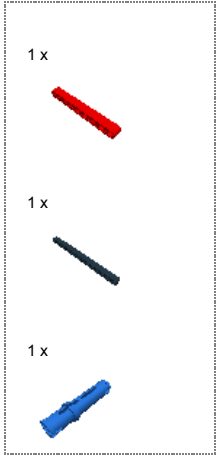




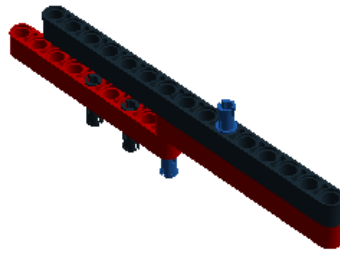
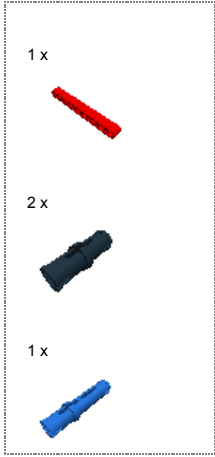
Step 36 of 207



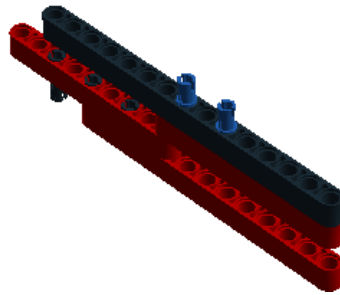
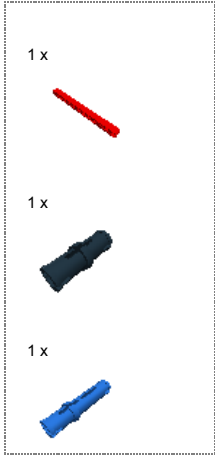
Step 37 of 207



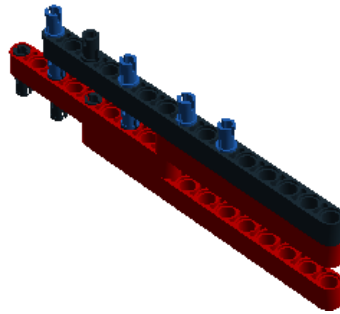
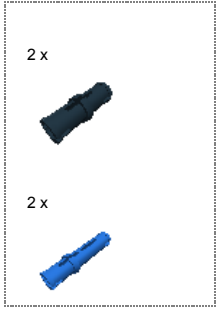
Step 38 of 207



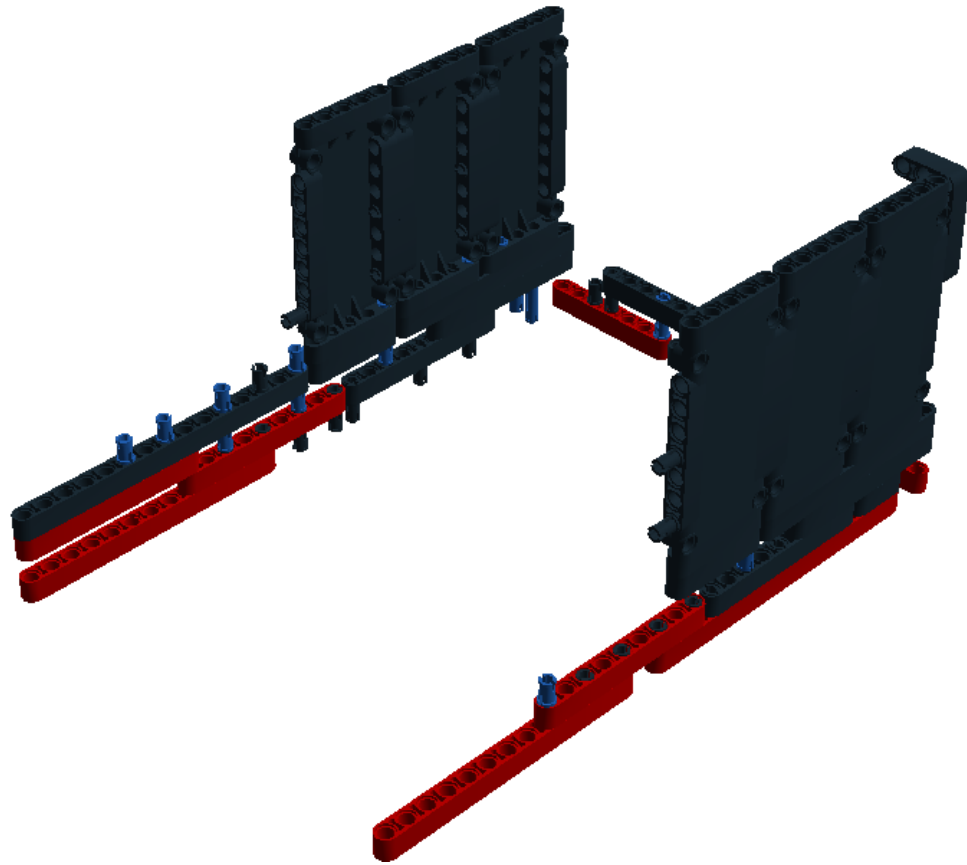
Step 39 of 207



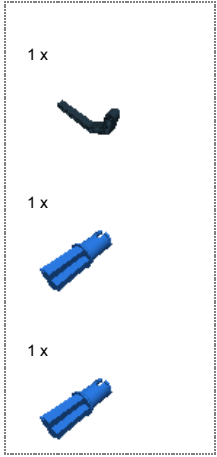
Step 40 of 207



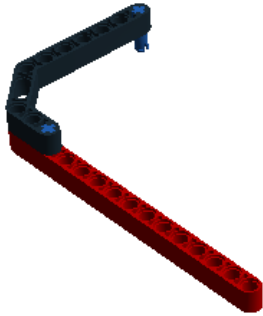
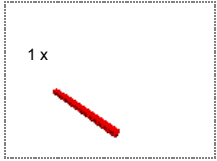
Step 41 of 207



Step 42 of 207

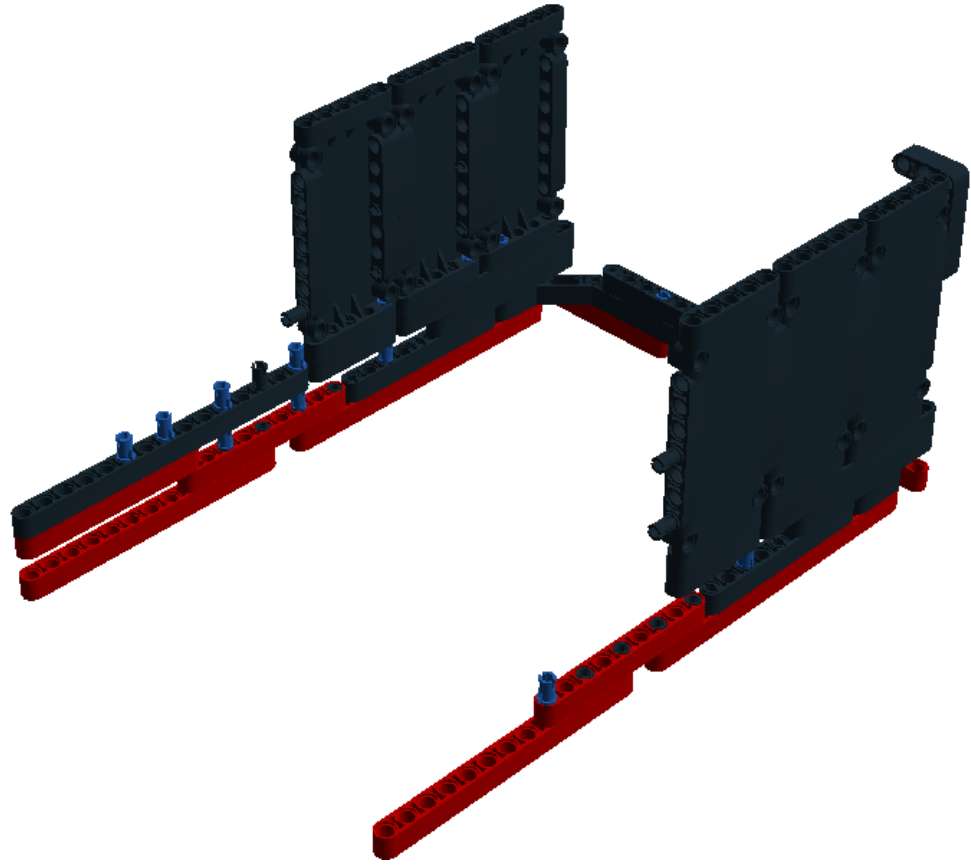


Step 43 of 207

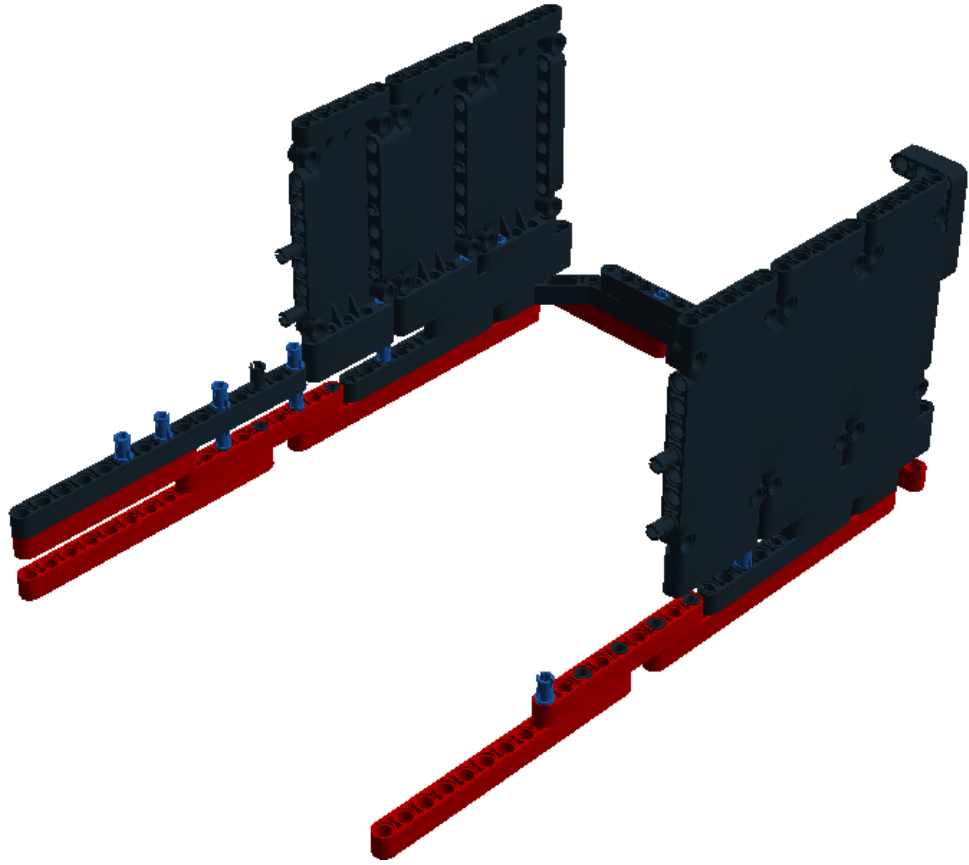




Step 44 of 207

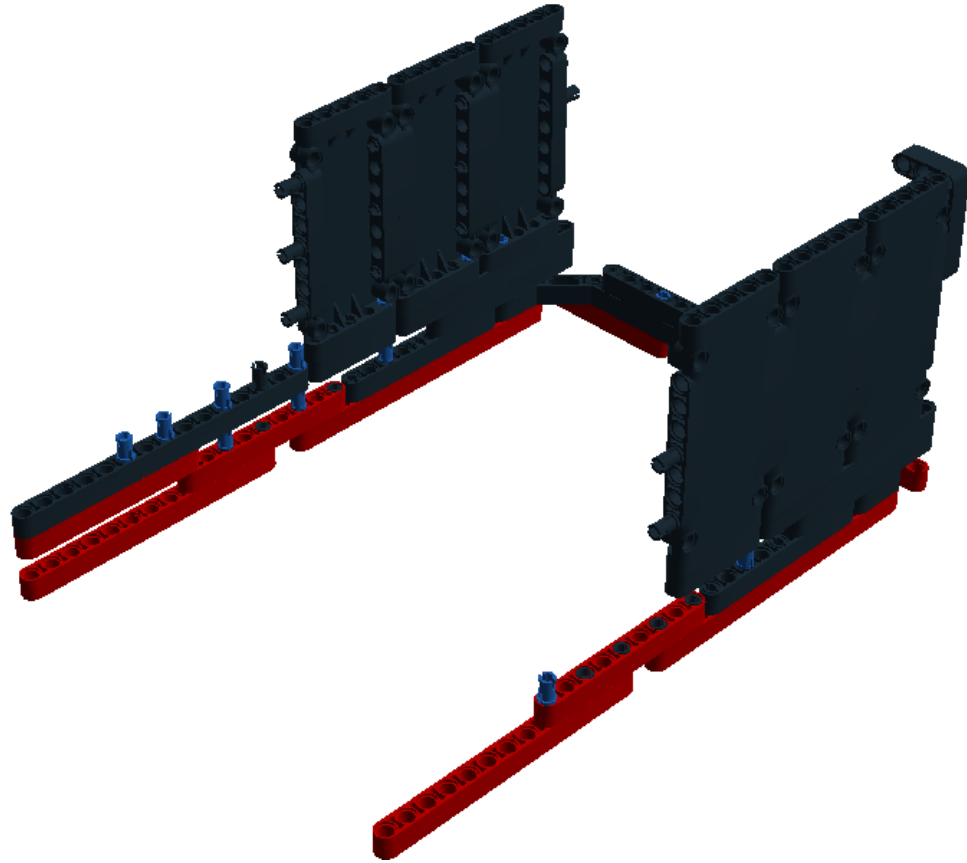


Step 45 of 207

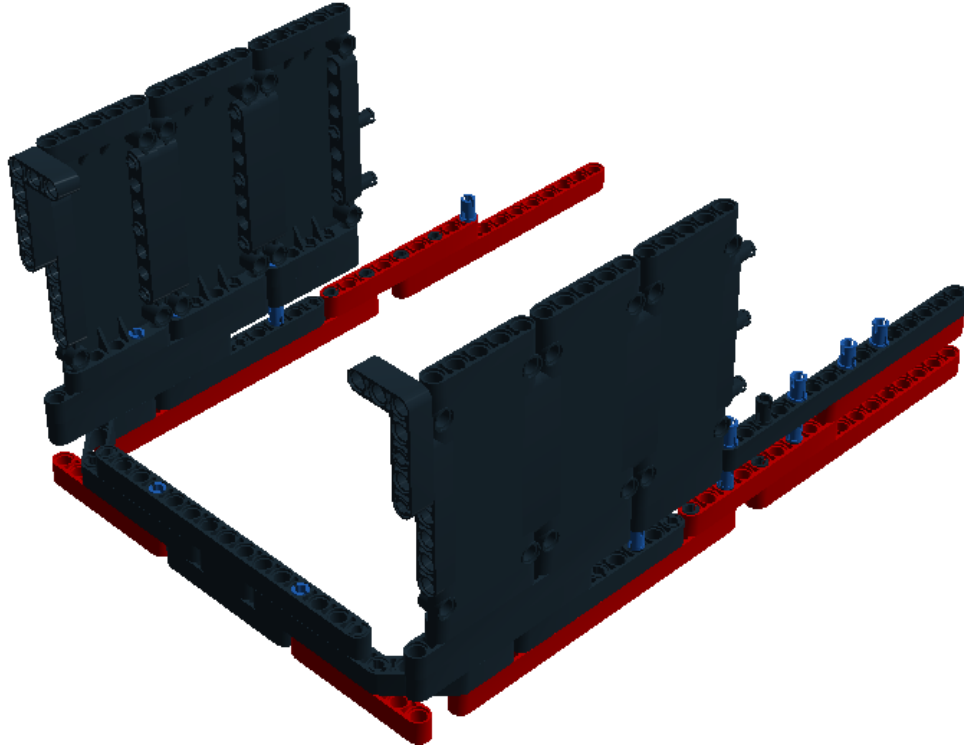
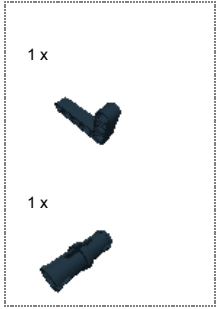


Step 46 of 207

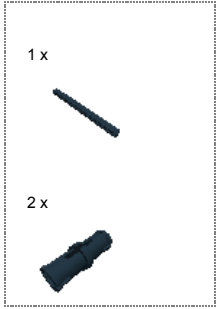
4 x



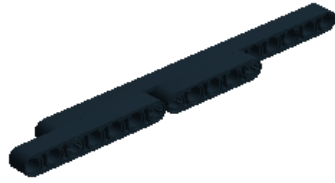
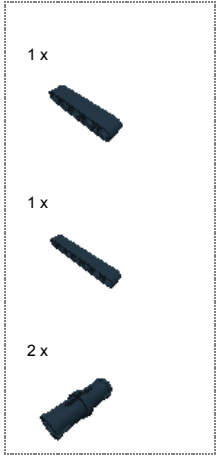
Step 47 of 207



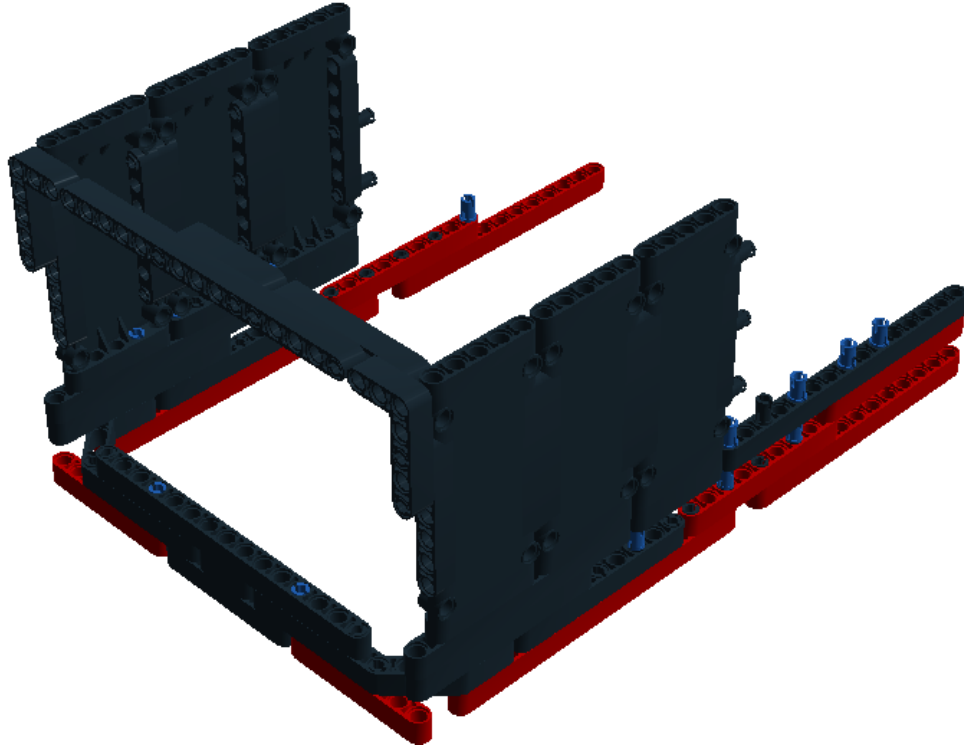
Step 48 of 207



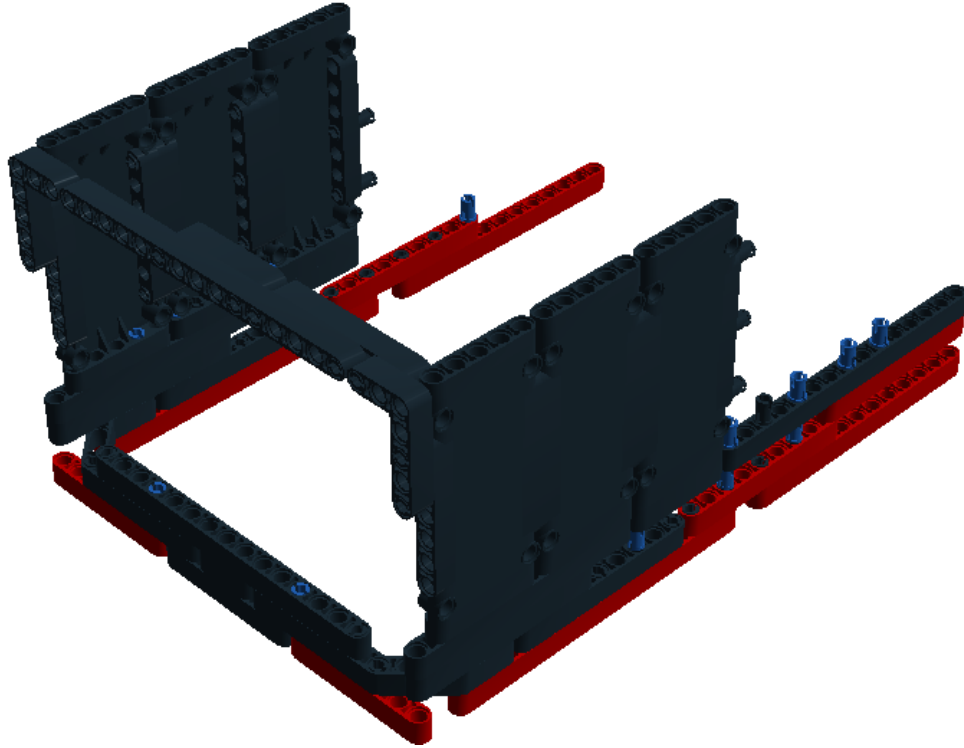
Step 49 of 207



Step 50 of 207

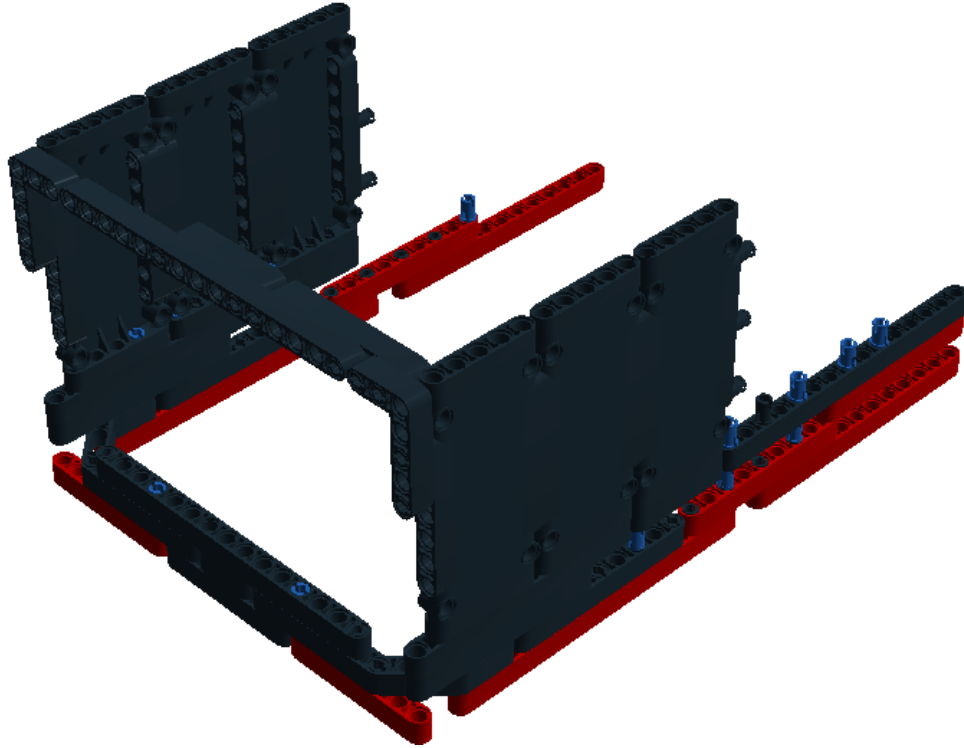


Step 51 of 207

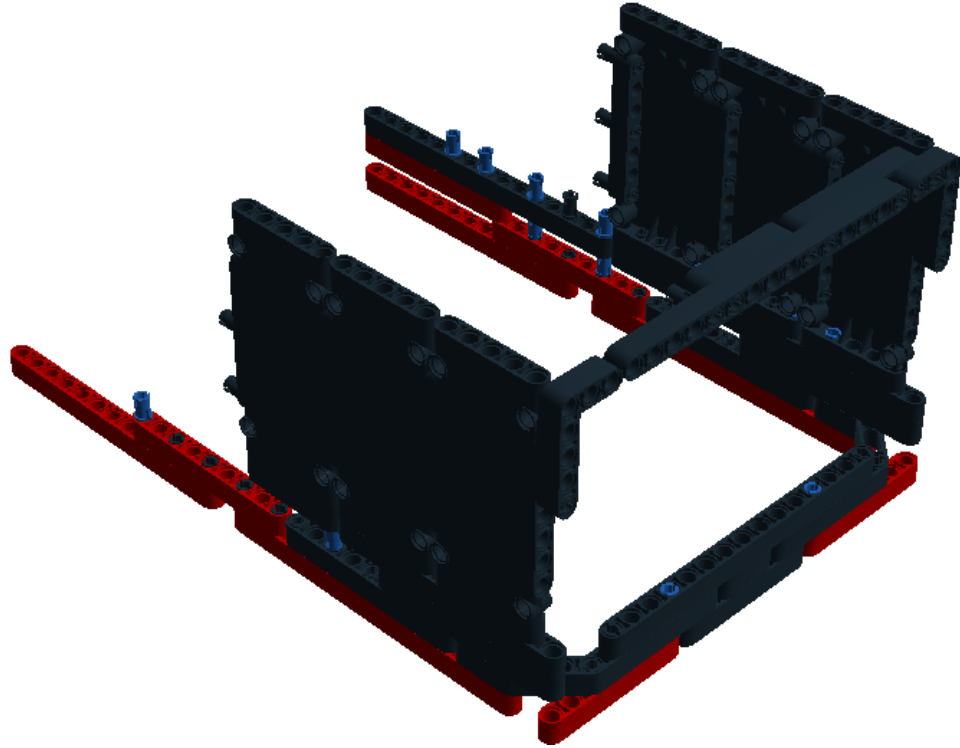




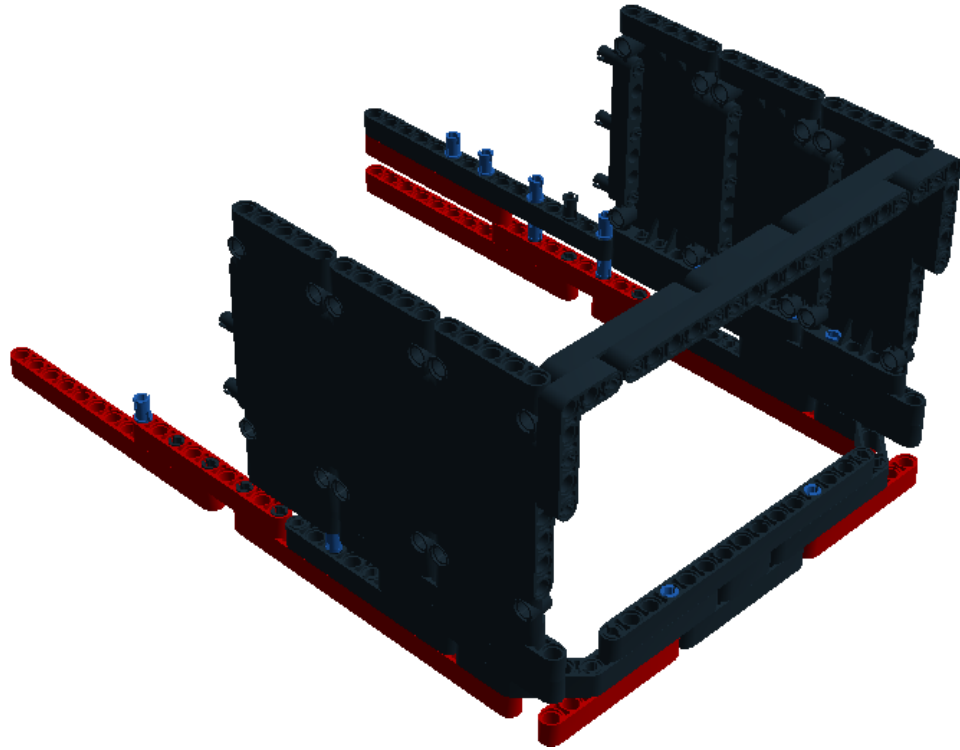
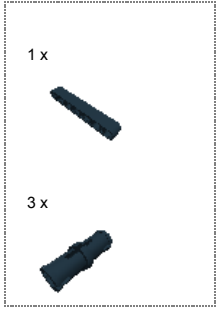
Step 52 of 207



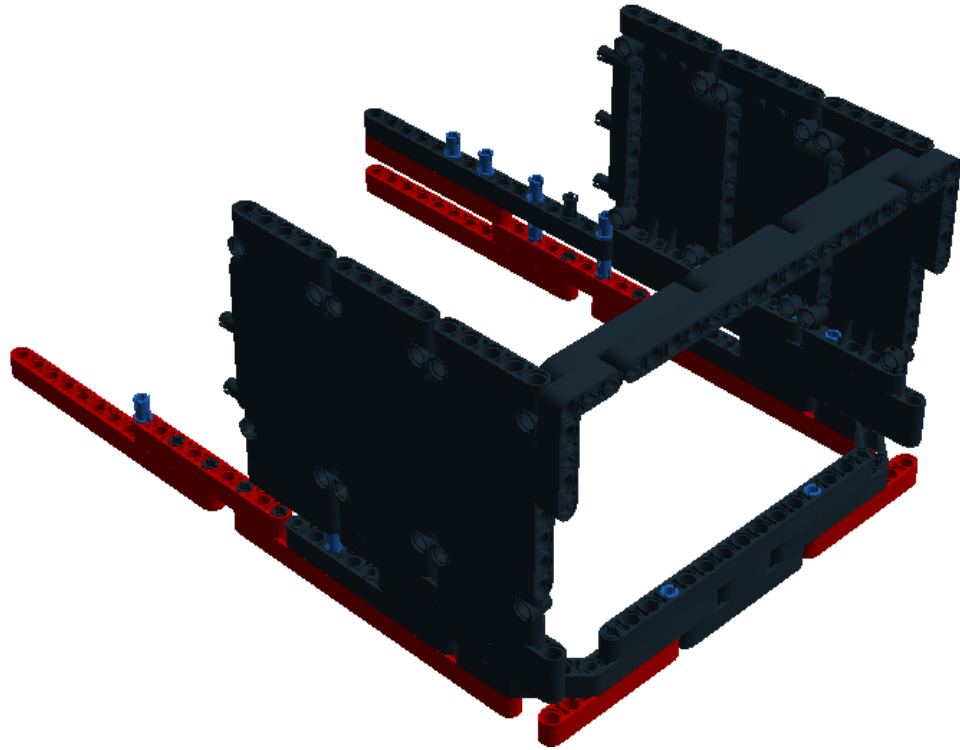
Step 53 of 207



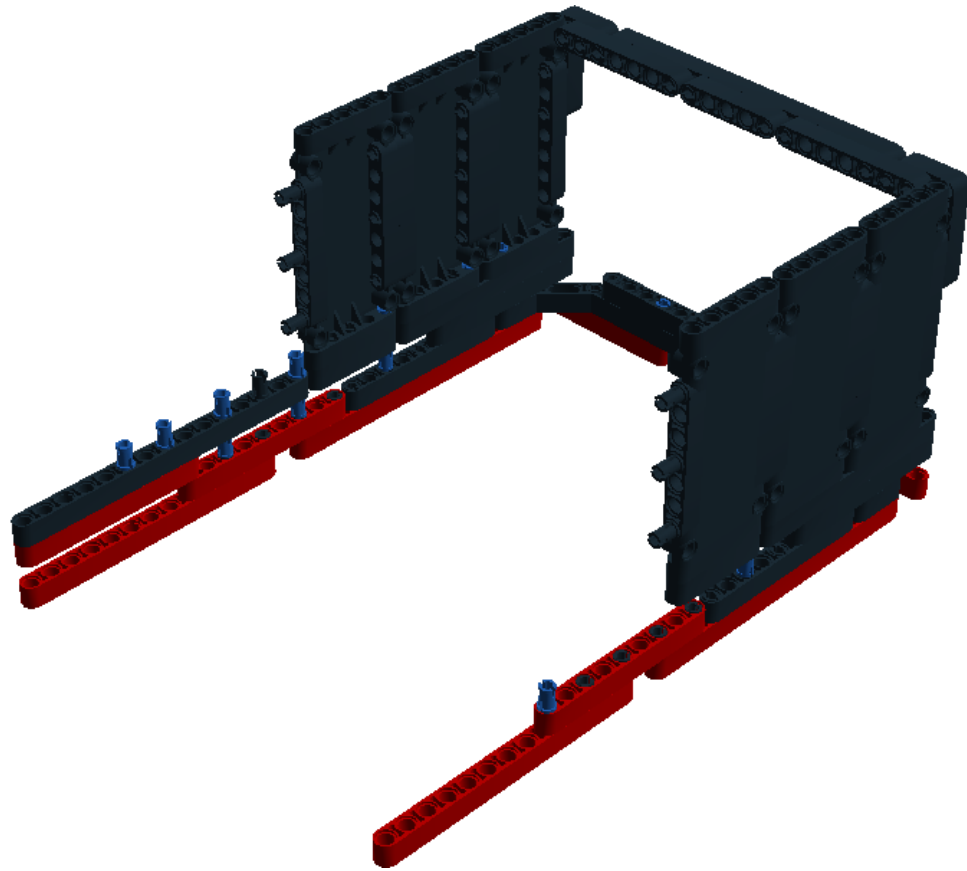
Step 54 of 207



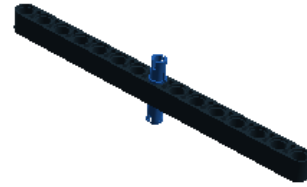
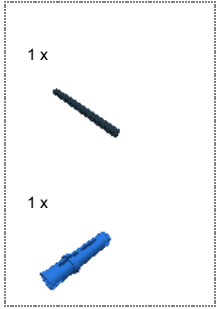
Step 55 of 207



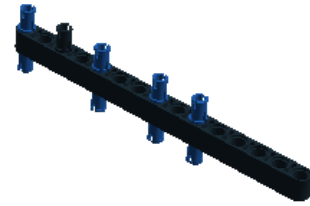
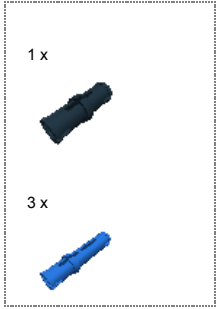
Step 56 of 207



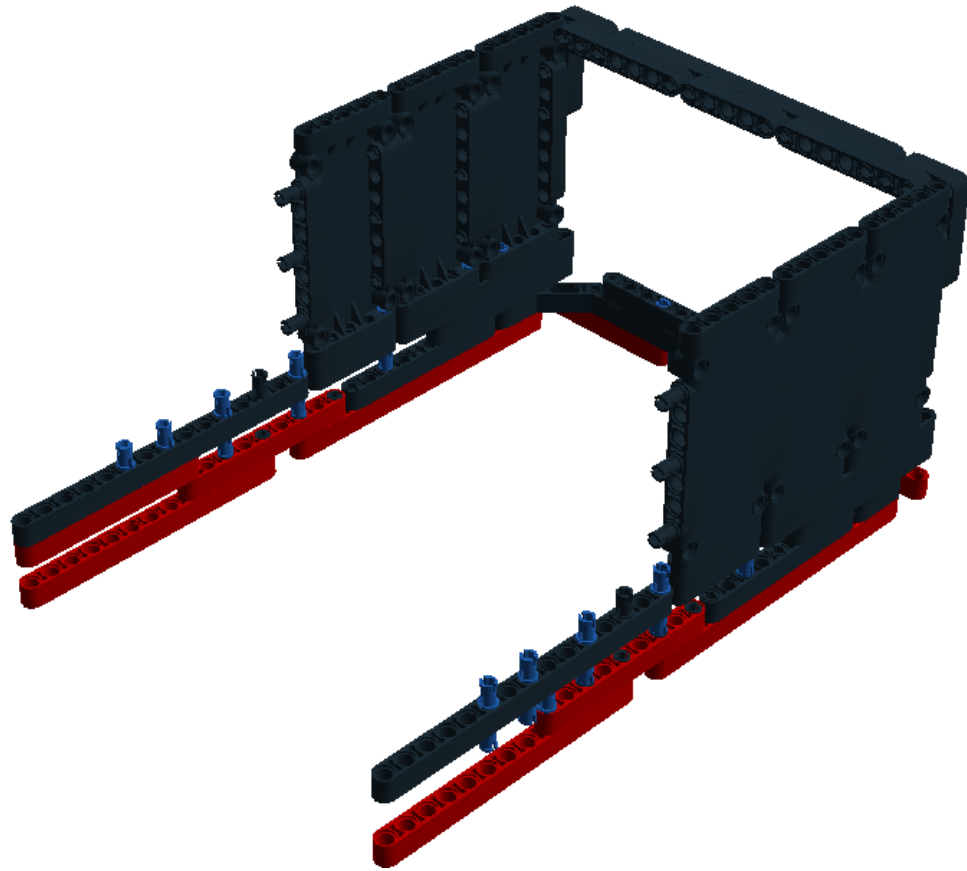
Step 57 of 207



Step 58 of 207

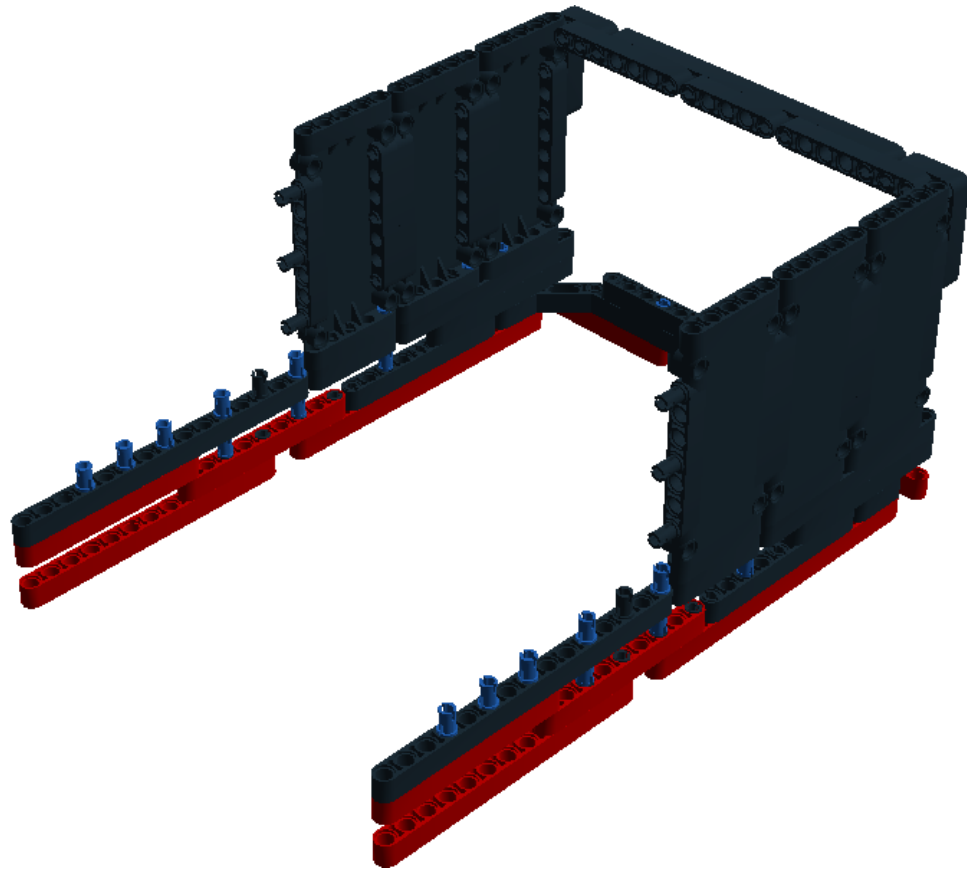
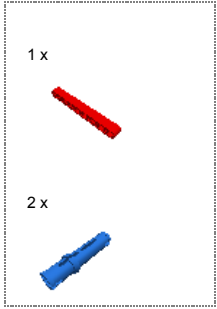


Step 59 of 207

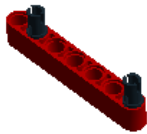
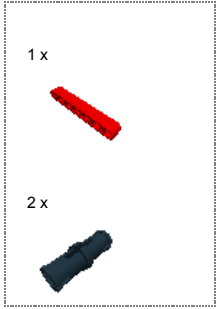




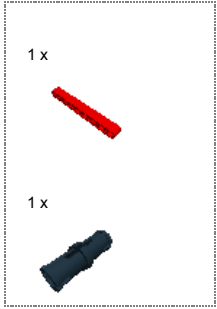
Step 60 of 207



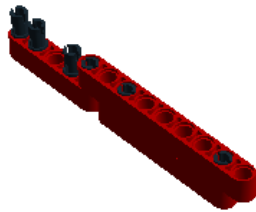
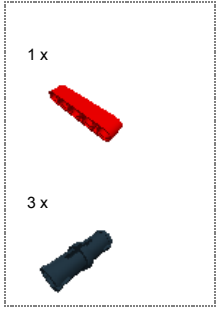
Step 61 of 207



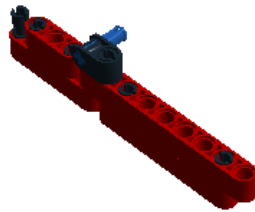
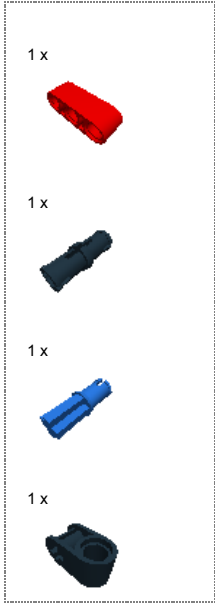
Step 62 of 207



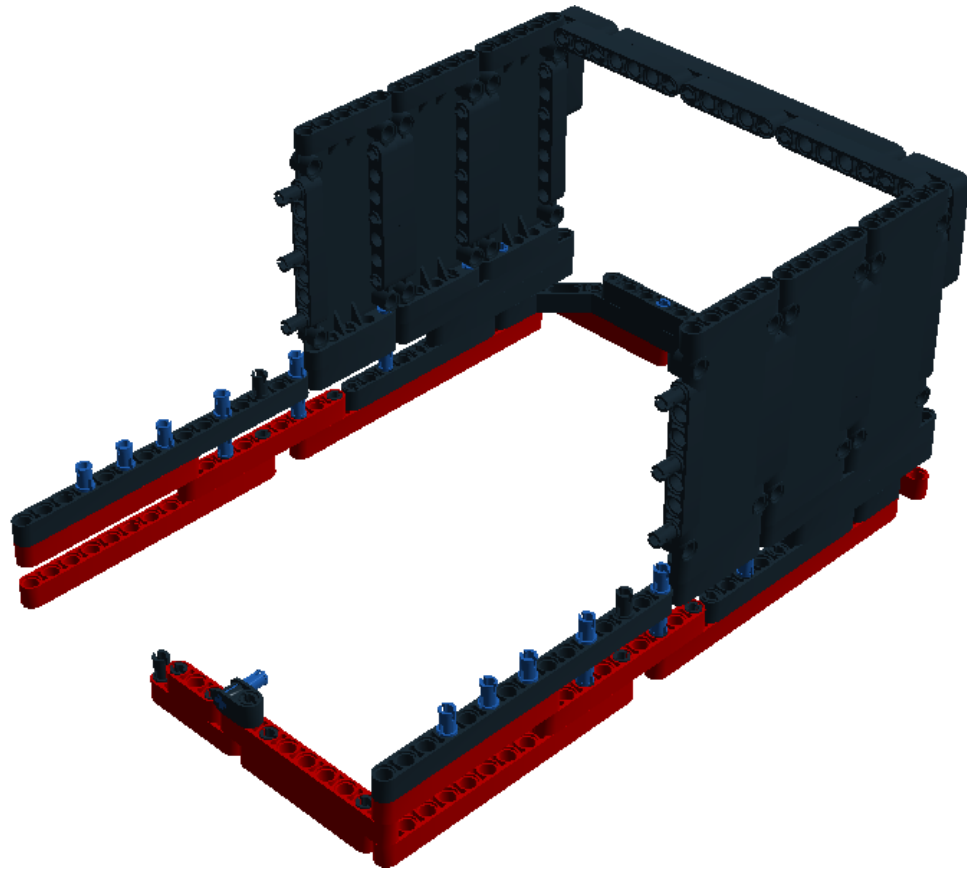
Step 63 of 207



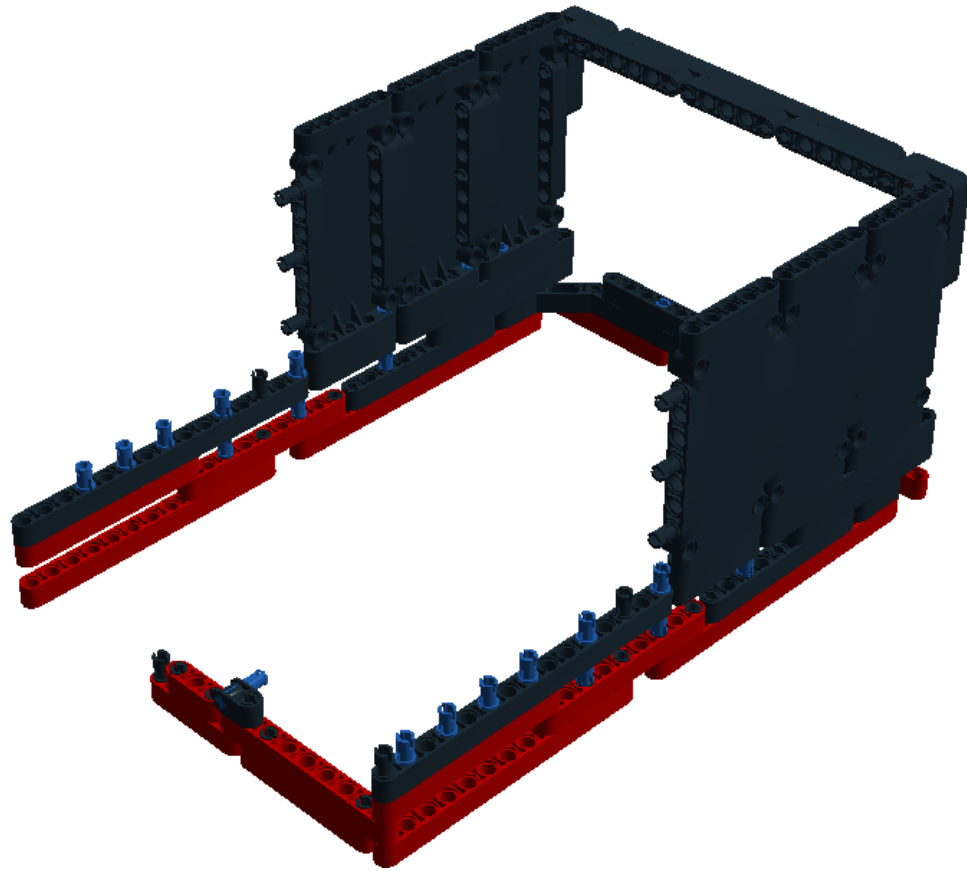
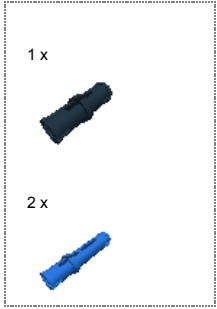
Step 64 of 207



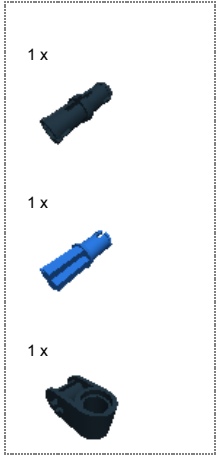
Step 65 of 207



Step 66 of 207

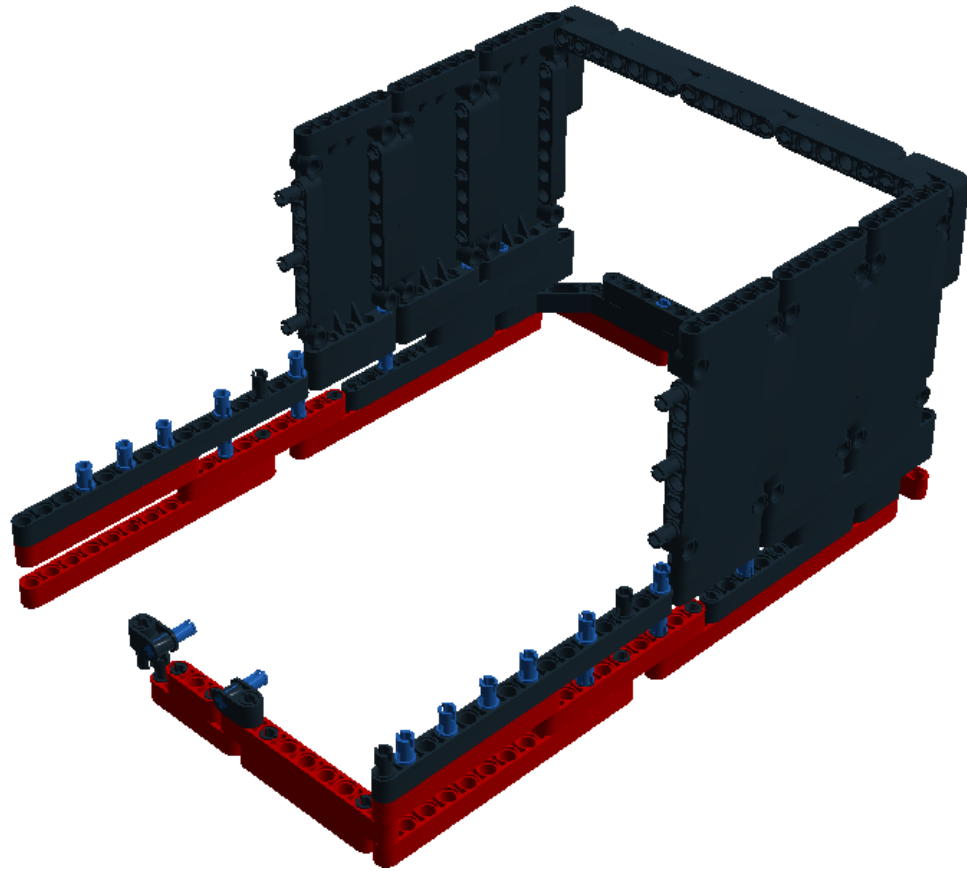


Step 67 of 207

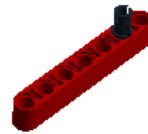
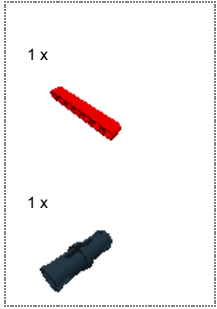




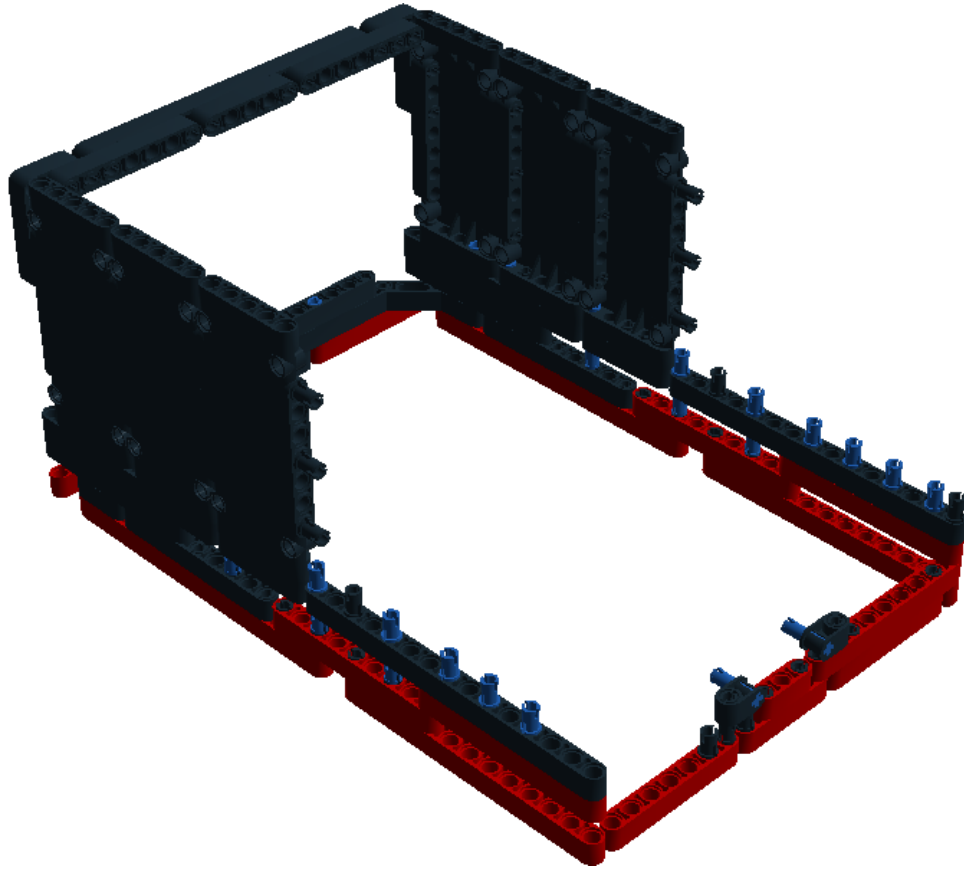
Step 68 of 207



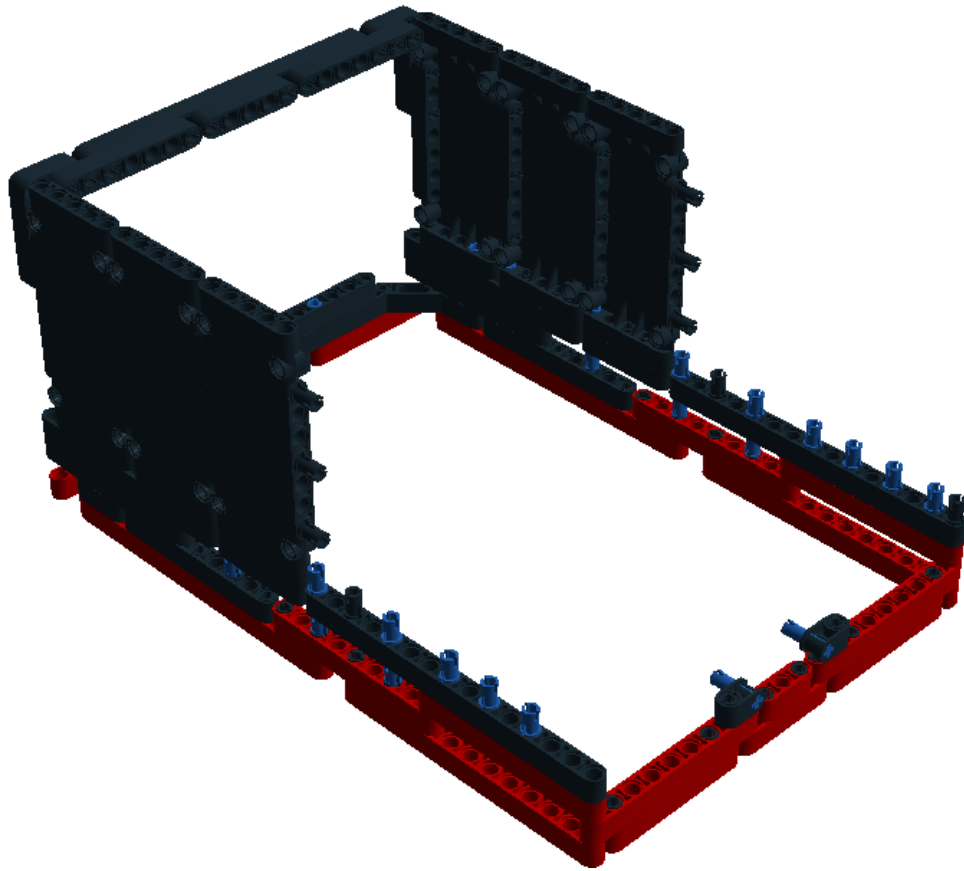
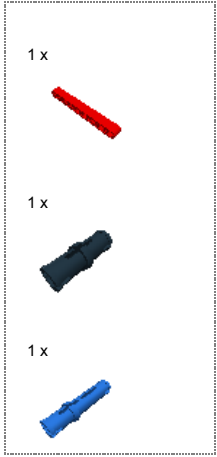
Step 69 of 207



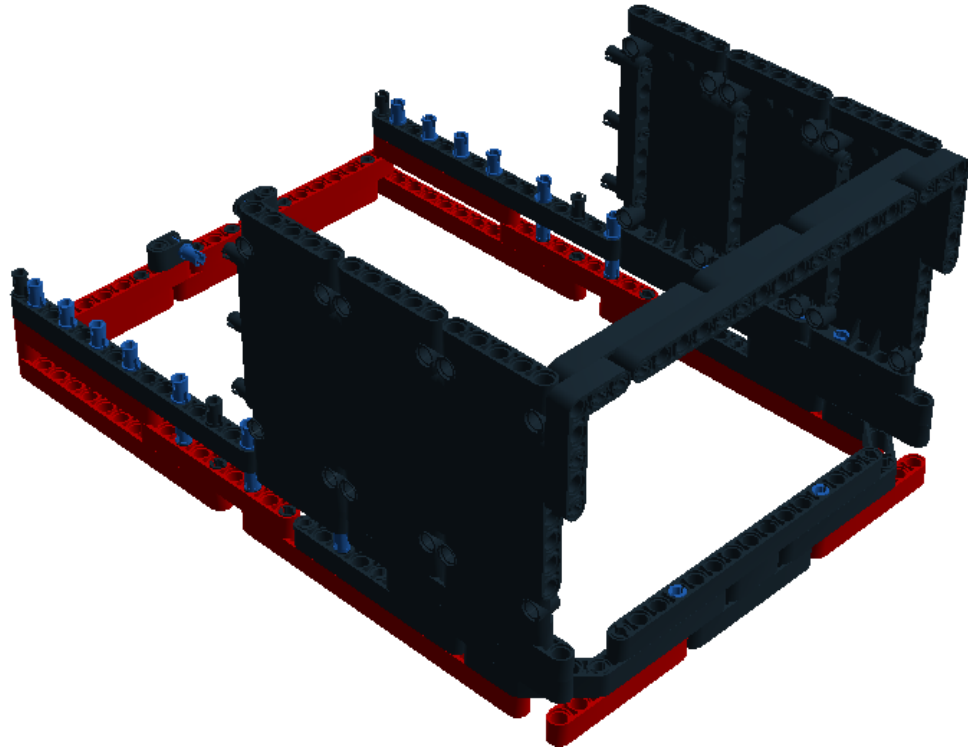
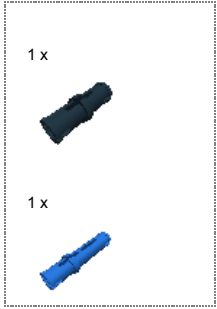
Step 70 of 207



Step 71 of 207



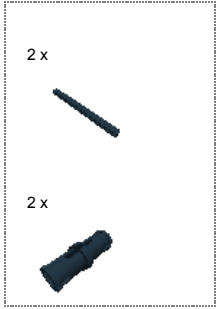
Step 72 of 207



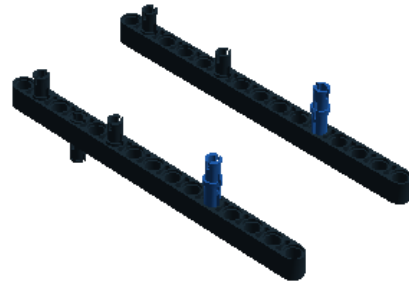
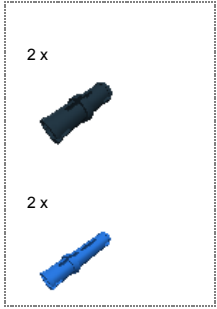
Step 73 of 207



Step 74 of 207

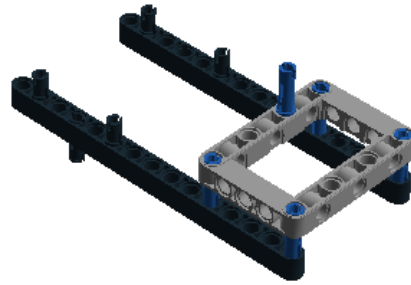
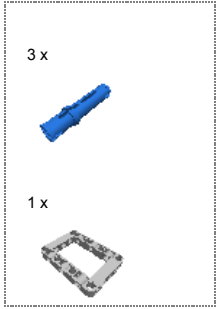


Step 75 of 207

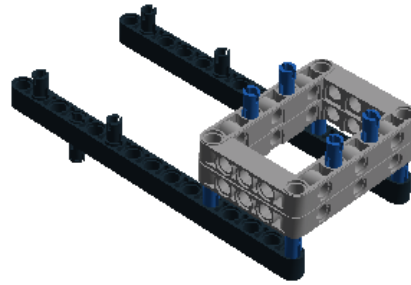
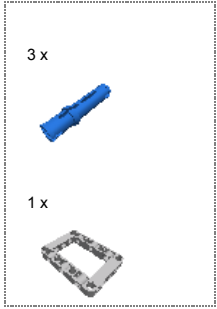




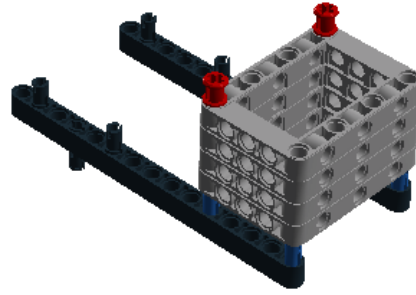
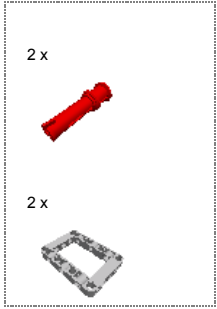
Step 76 of 207



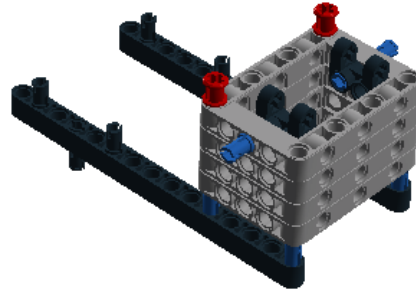
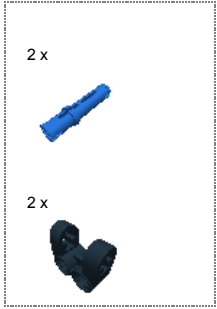
Step 77 of 207



Step 78 of 207



Step 79 of 207



Step 80 of 207

1 x



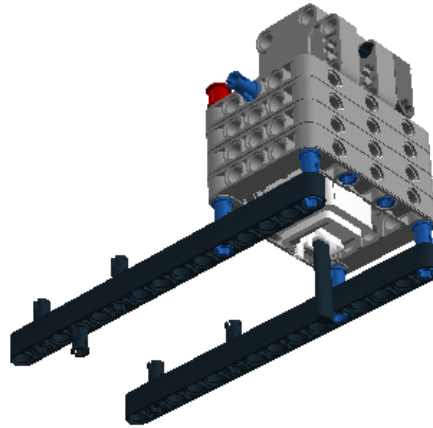
1 x



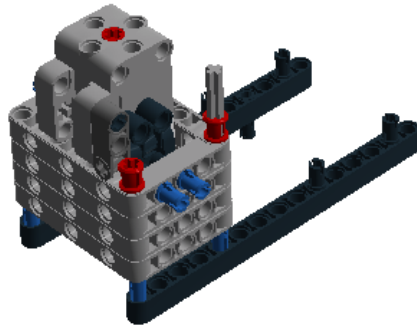
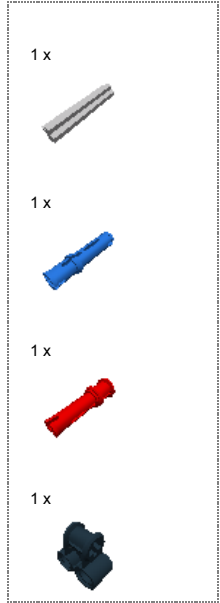
1 x



1 x

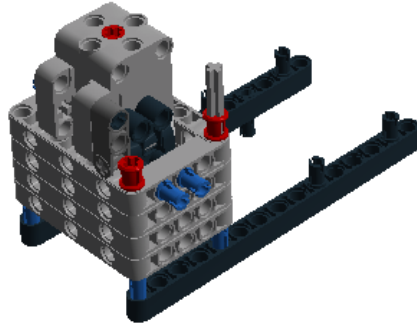
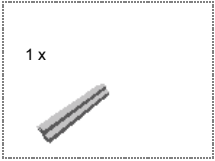


Step 81 of 207

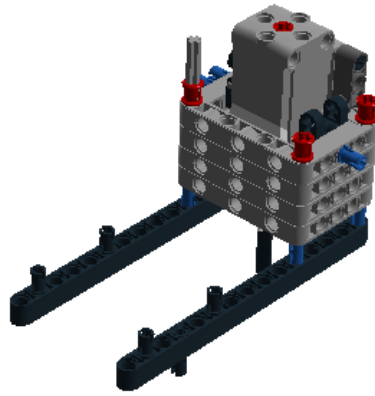
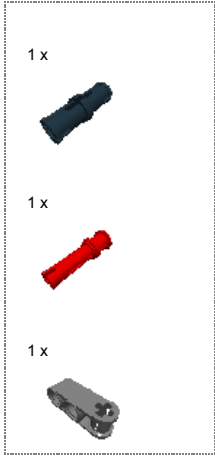


Step 82 of 207

1 x

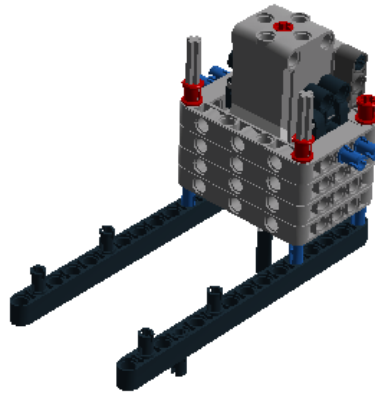
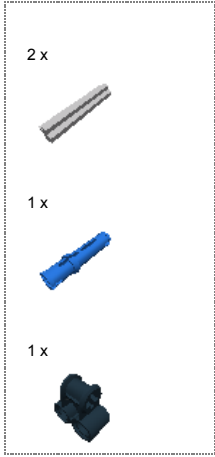


Step 83 of 207

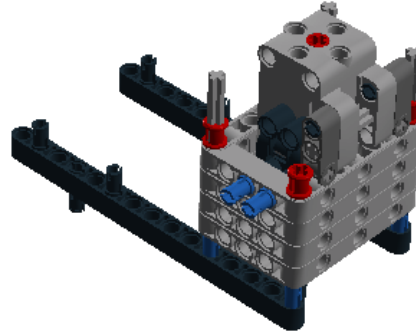
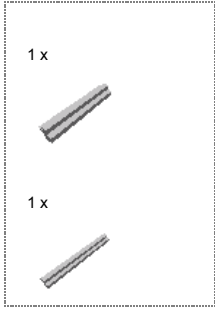




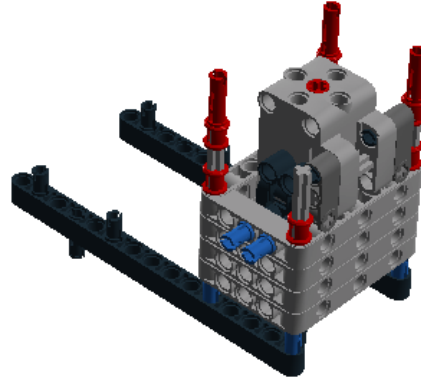
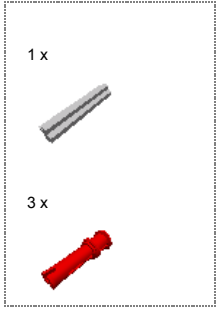
Step 84 of 207



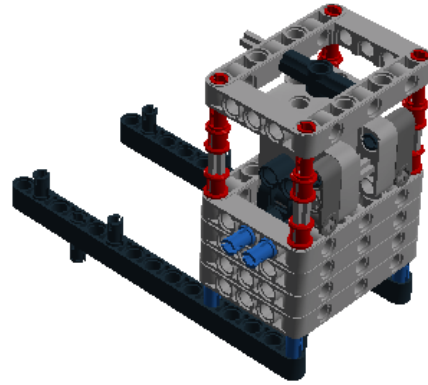
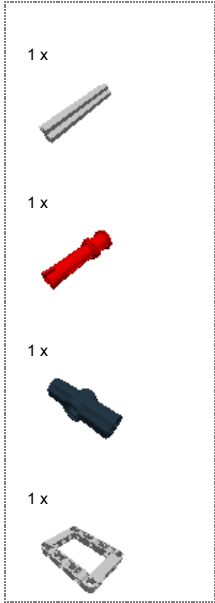
Step 85 of 207



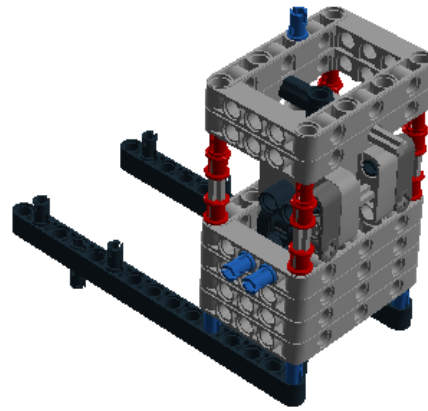
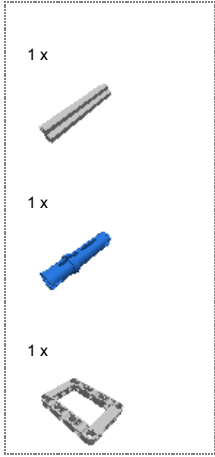
Step 86 of 207



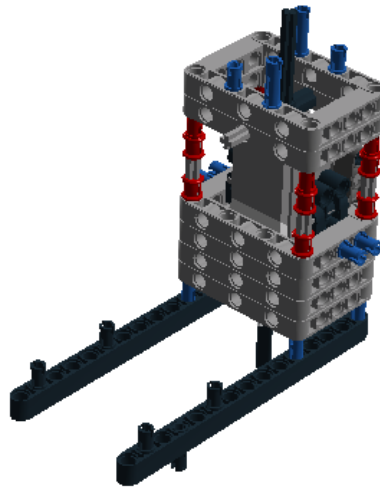
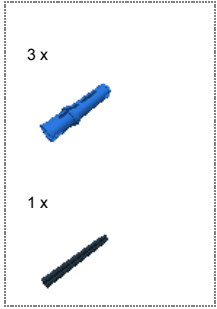
Step 87 of 207



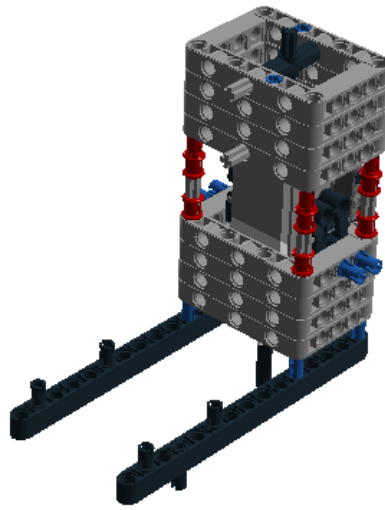
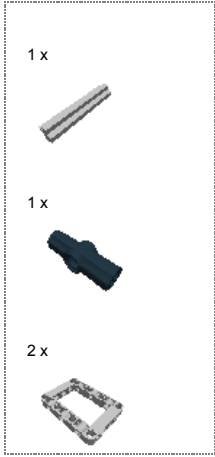
Step 88 of 207



Step 89 of 207



Step 90 of 207



Step 91 of 207

1 x



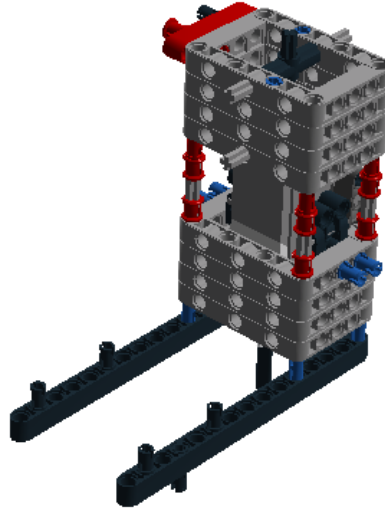
1 x



1 x

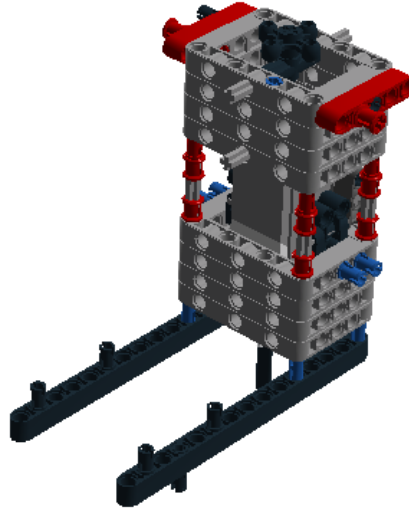
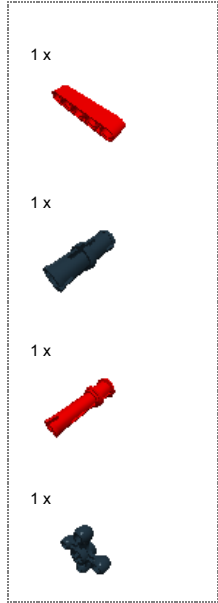


1 x

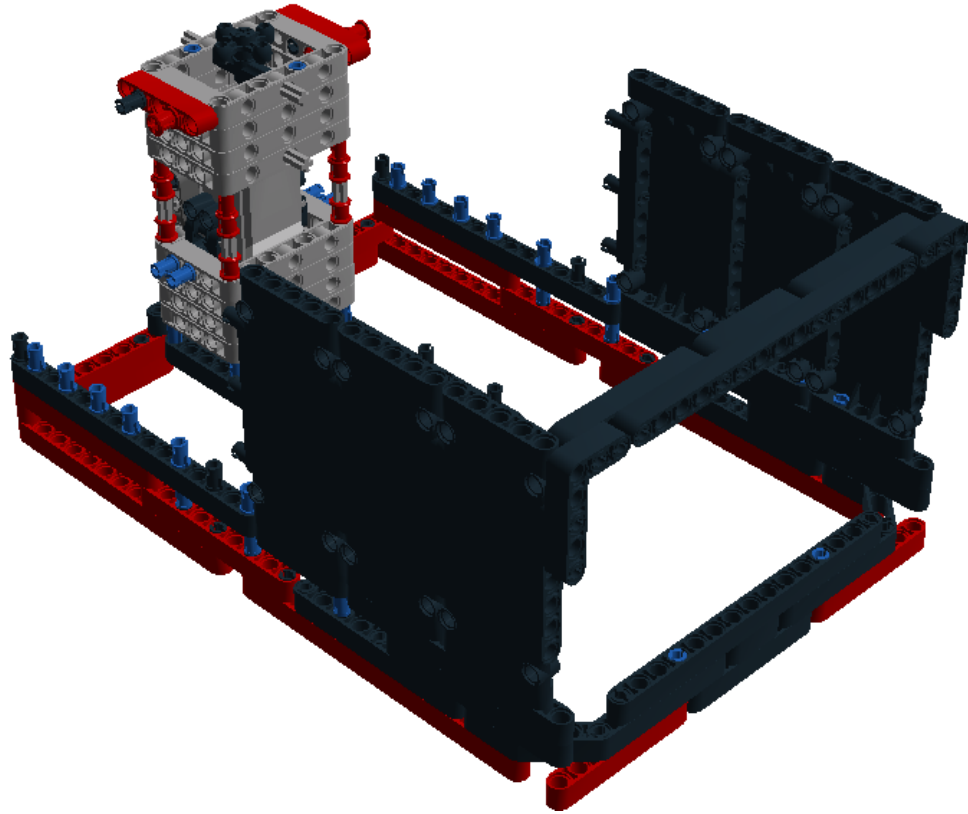




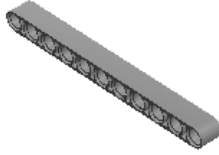
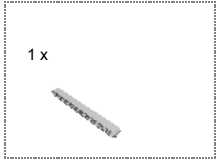
Step 92 of 207



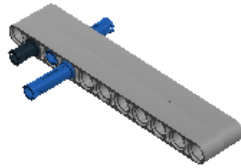
Step 93 of 207



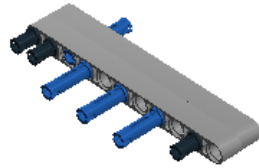
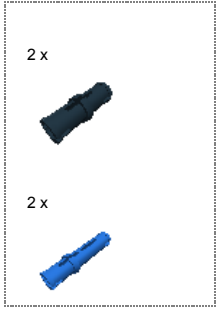
Step 94 of 207



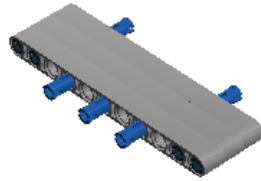
Step 95 of 207



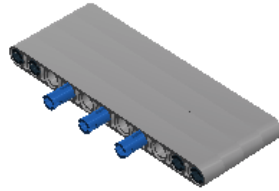
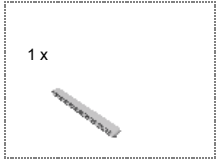
Step 96 of 207



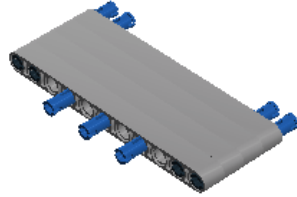
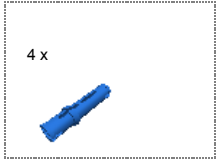
Step 97 of 207



Step 98 of 207

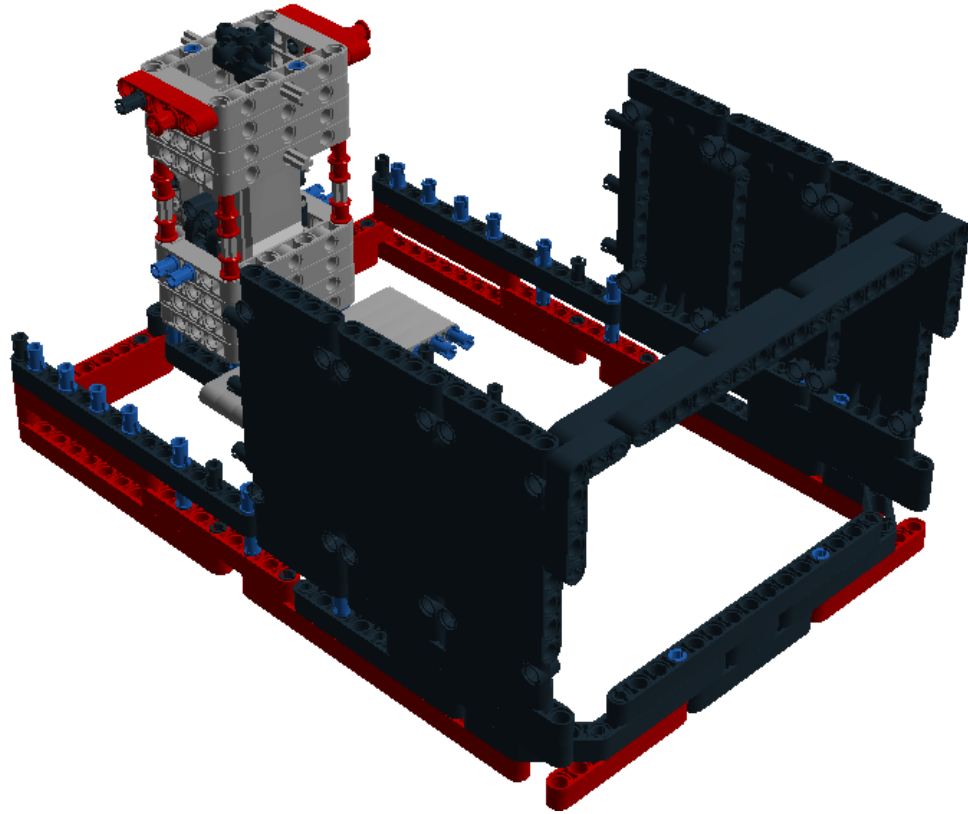


Step 99 of 207





Step 100 of 207



Step 101 of 207

1 x



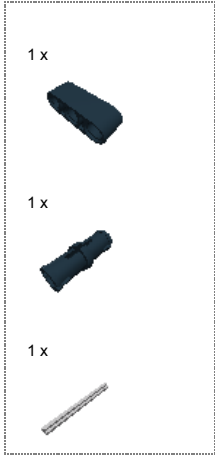
1 x



1 x



Step 102 of 207



Step 103 of 207

1 x



1 x



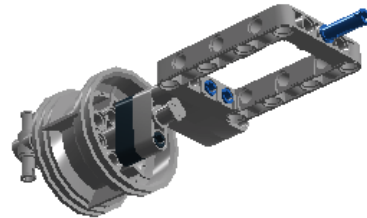
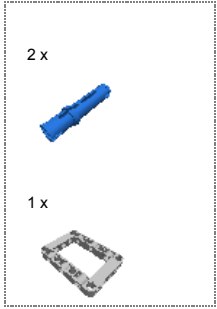
1 x



1 x



Step 104 of 207



Step 105 of 207

1 x



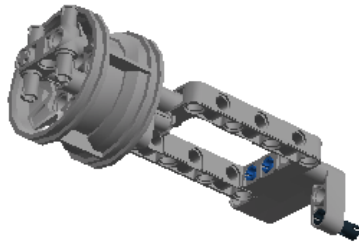
1 x



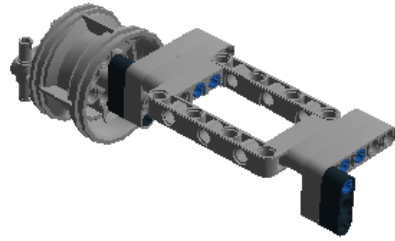
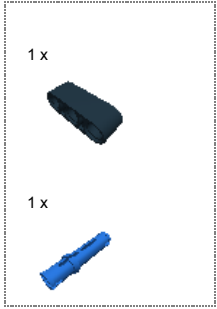
1 x



1 x



Step 106 of 207



Step 107 of 207

1 x



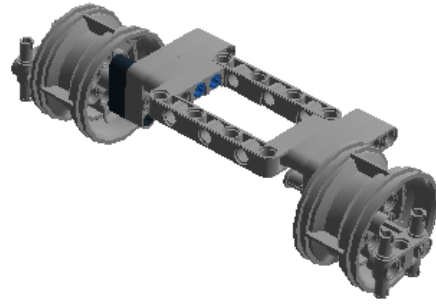
1 x



1 x

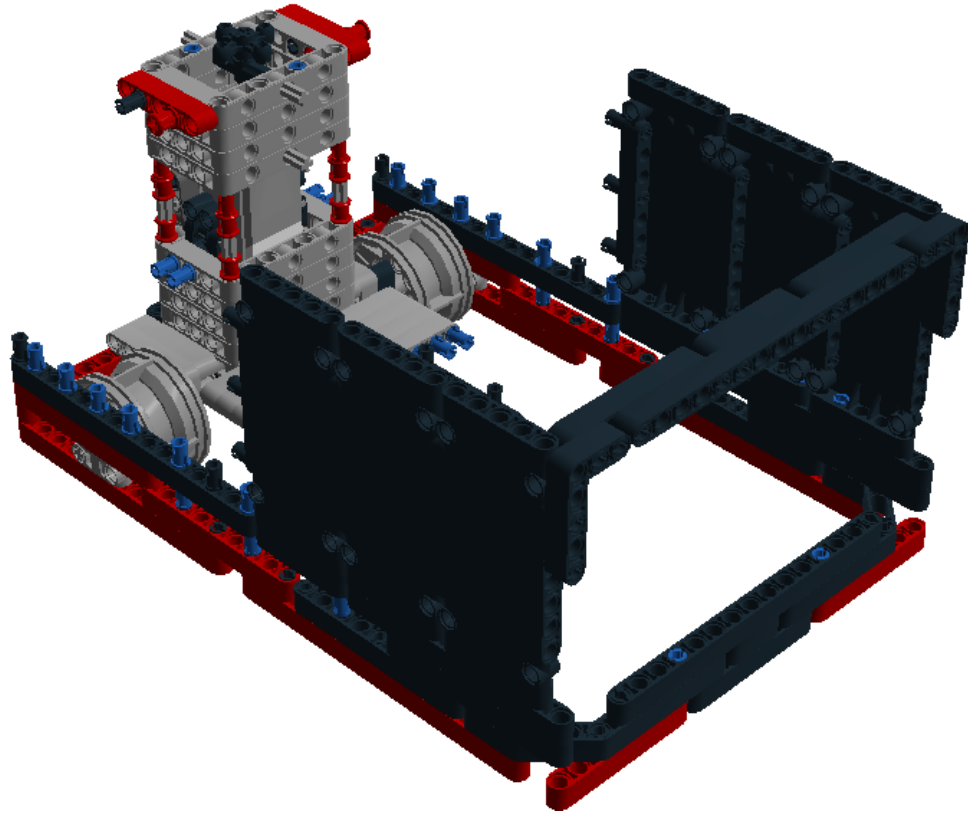


1 x





Step 108 of 207



Step 109 of 207

1 x



1 x



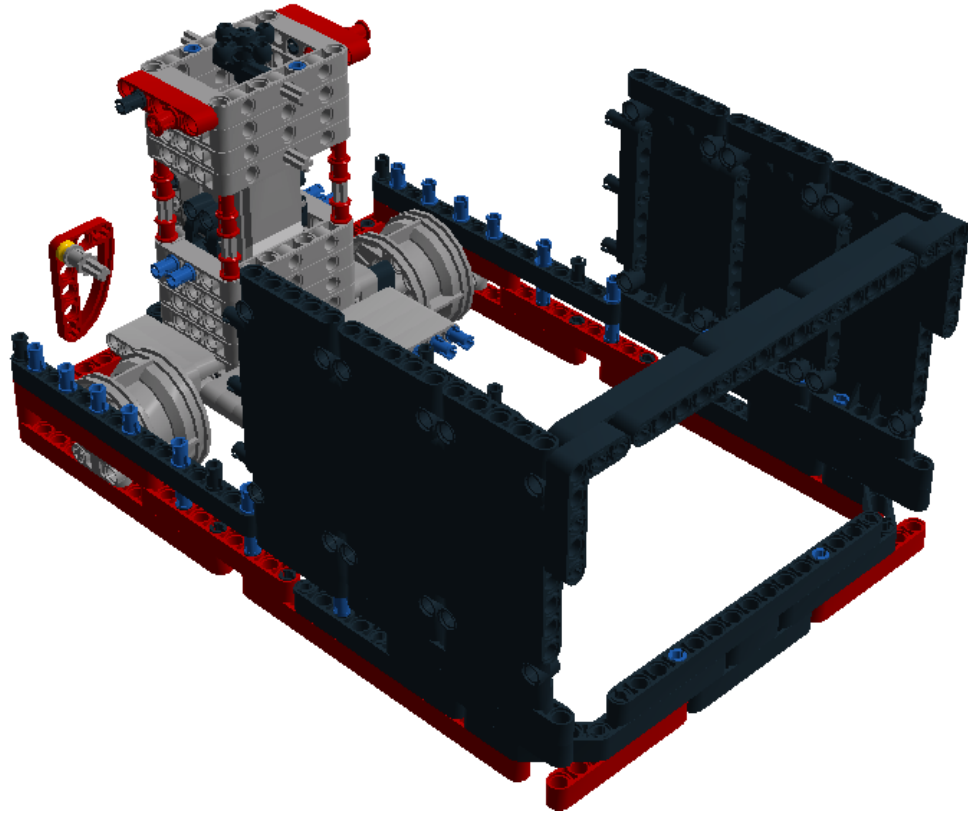
1 x



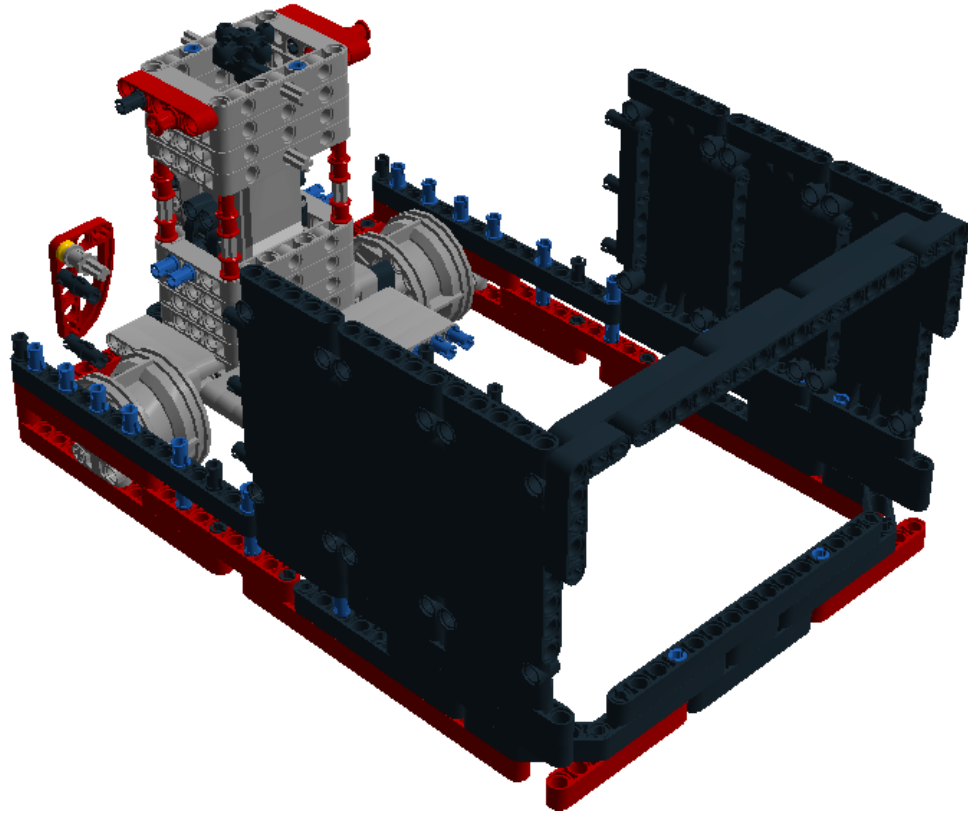
1 x



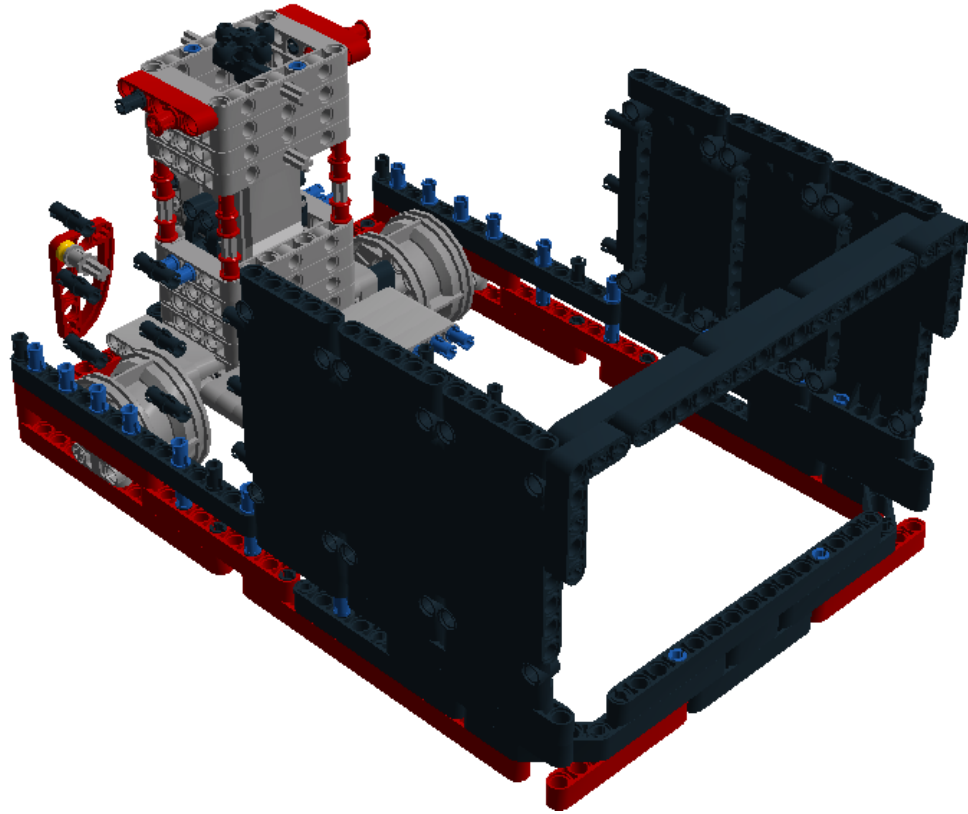
Step 110 of 207



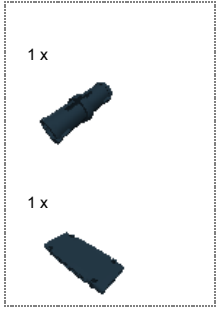
Step 111 of 207



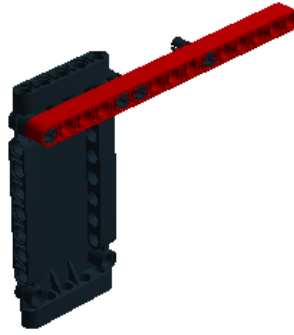
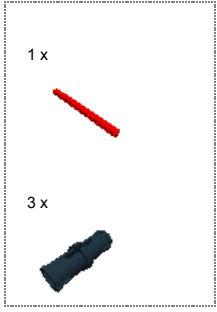
Step 112 of 207



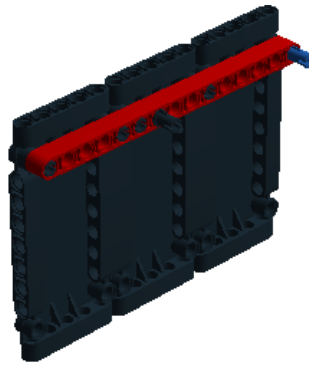
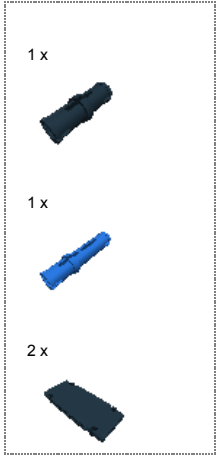
Step 113 of 207



Step 114 of 207



Step 115 of 207





Step 116 of 207

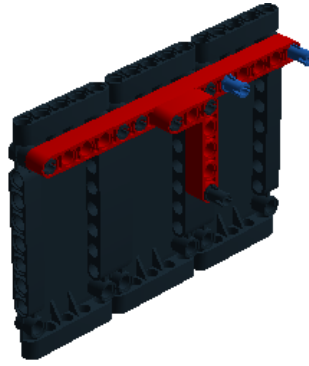
1 x



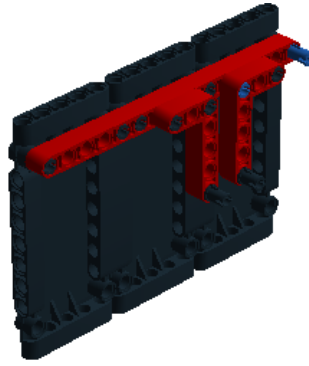
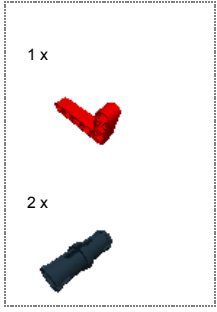
2 x



1 x



Step 117 of 207



Step 118 of 207

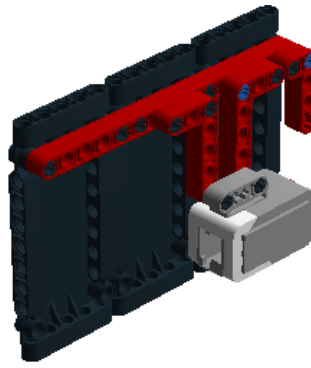
1 x



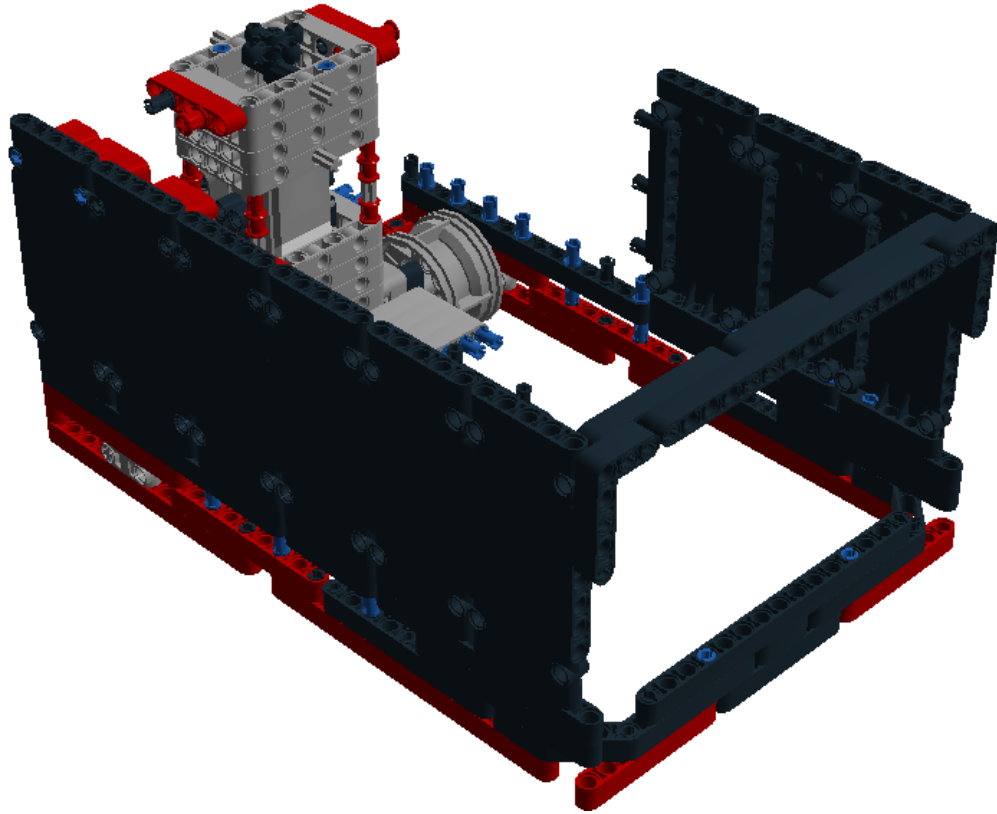
1 x



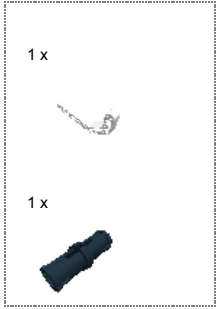
1 x



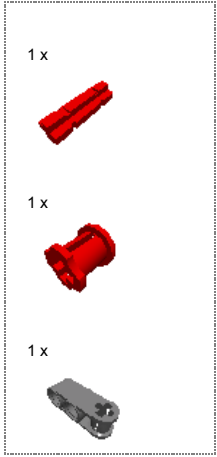
Step 119 of 207



Step 120 of 207



Step 121 of 207



Step 122 of 207

1 x



1 x



1 x



1 x



Step 123 of 207

1 x



1 x



1 x

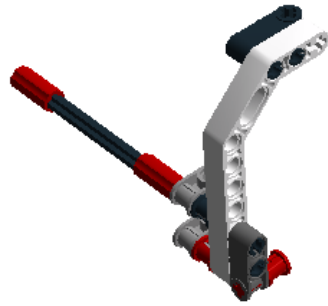
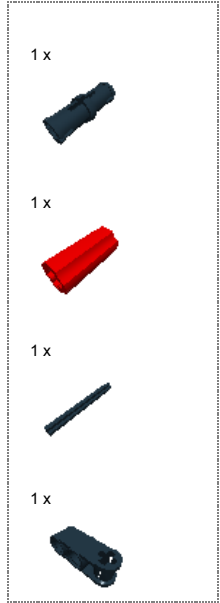


1 x

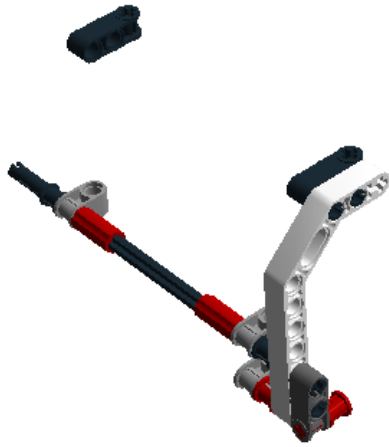
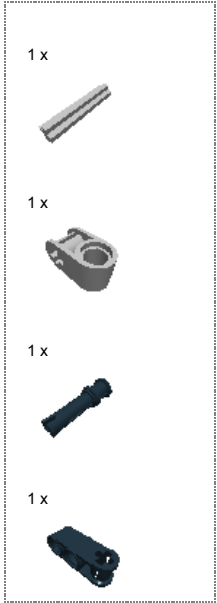




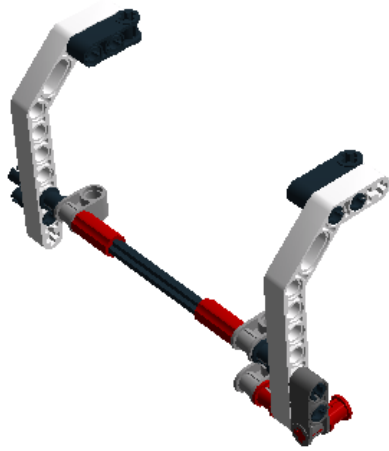
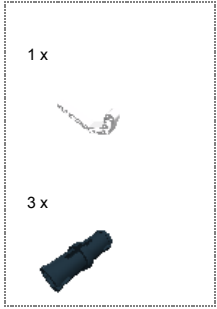
Step 124 of 207



Step 125 of 207



Step 126 of 207



Step 127 of 207

1 x



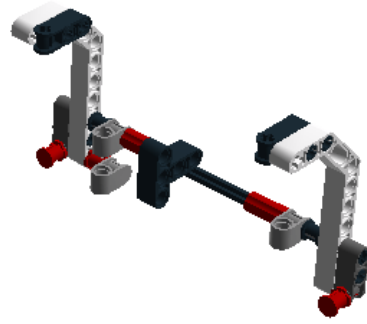
1 x



1 x



1 x



Step 128 of 207

1 x



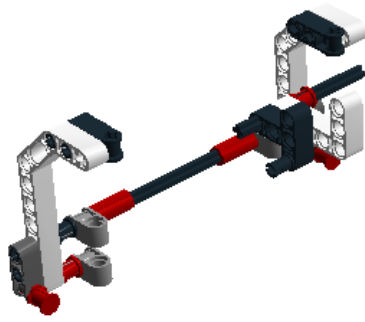
1 x



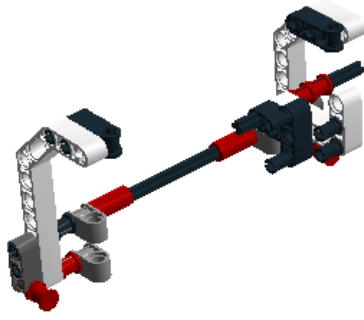
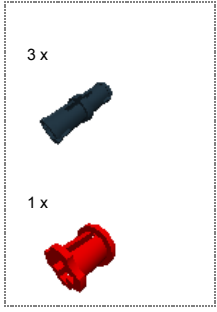
1 x







1 x

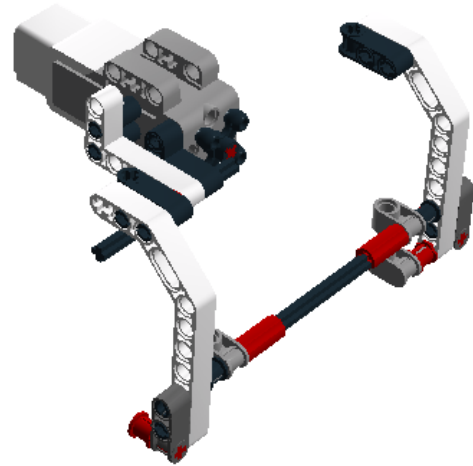


Step 129 of 207

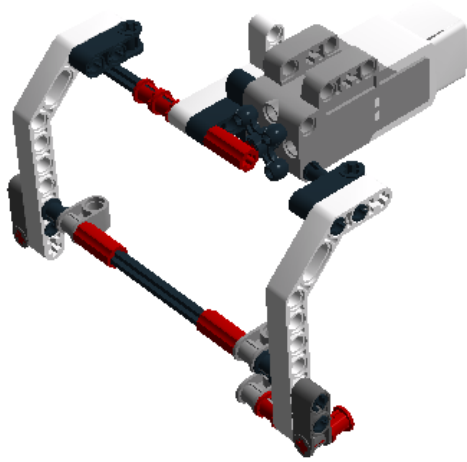
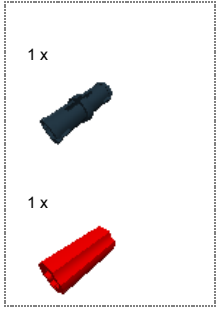


Step 130 of 207

- 1 x 
- 1 x 
- 1 x 
- 1 x 

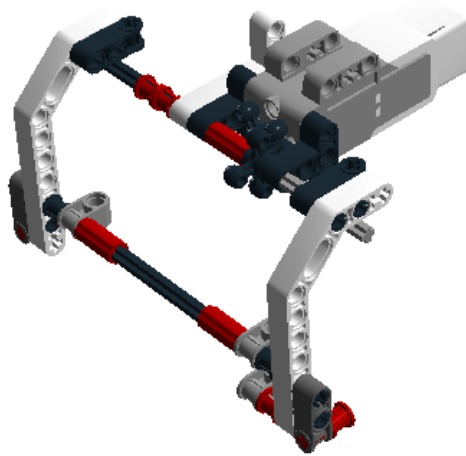
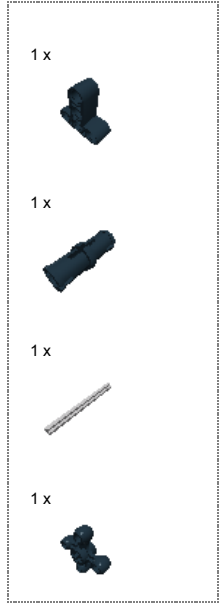


Step 131 of 207

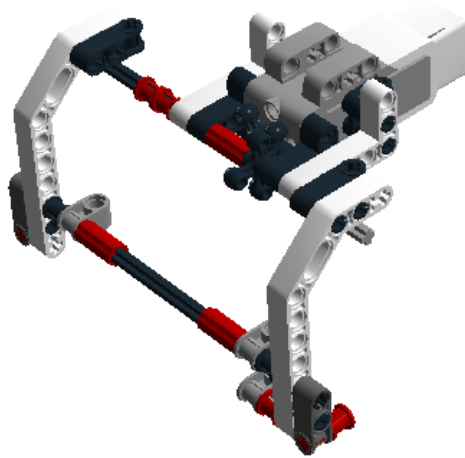
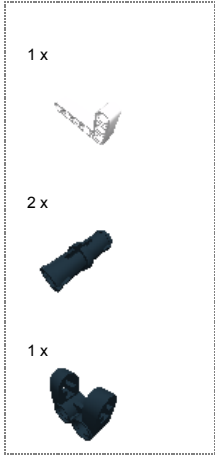




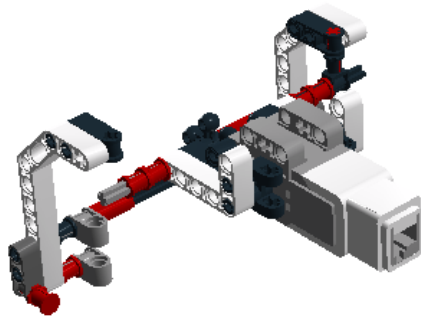
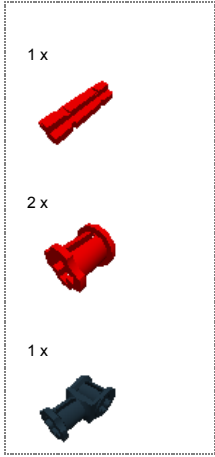
Step 132 of 207



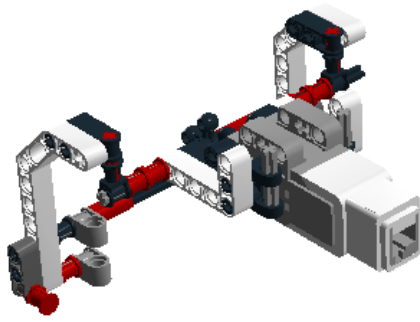
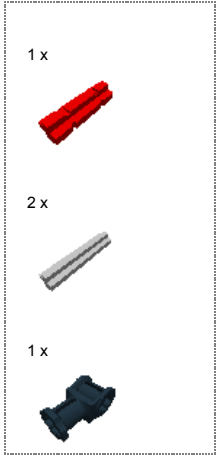
Step 133 of 207



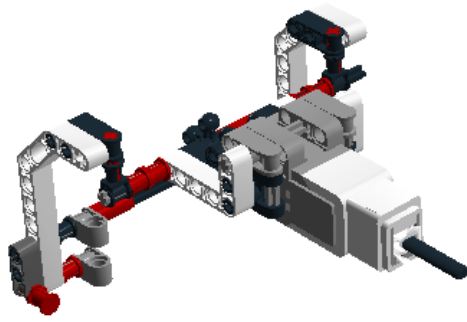
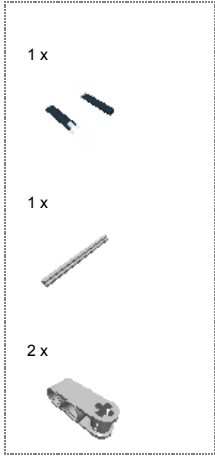
Step 134 of 207



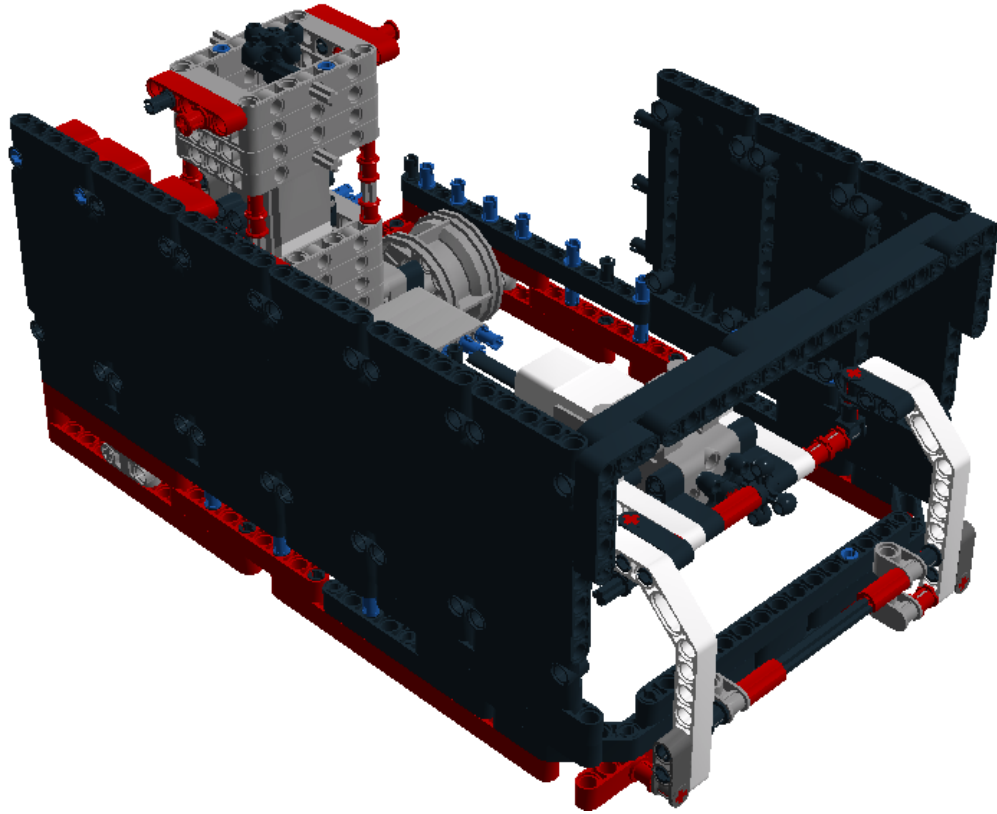
Step 135 of 207



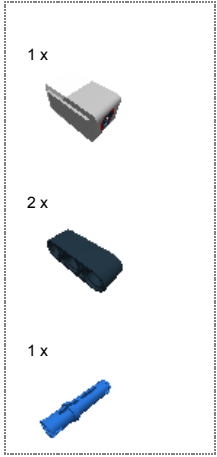
Step 136 of 207



Step 137 of 207



Step 138 of 207



Step 139 of 207

1 x



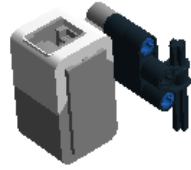
1 x



1 x



1 x





Step 140 of 207

1 x



1 x



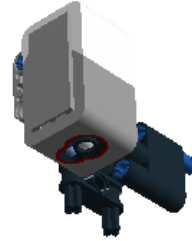
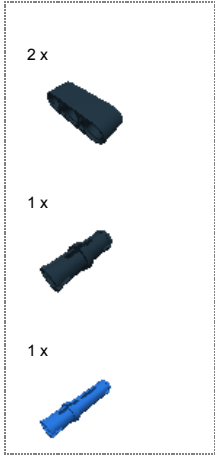
1 x



1 x



Step 141 of 207



Step 142 of 207

1 x



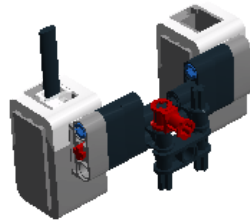
1 x



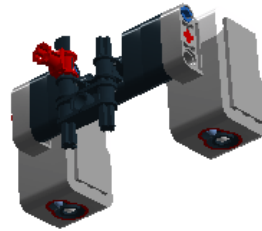
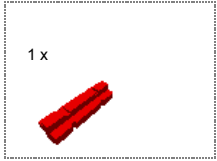
1 x



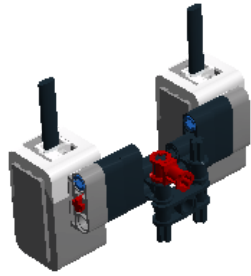
1 x



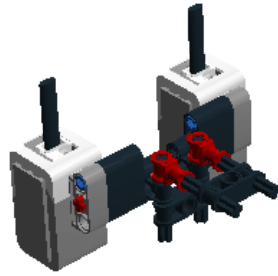
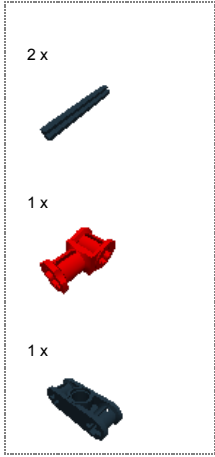
Step 143 of 207

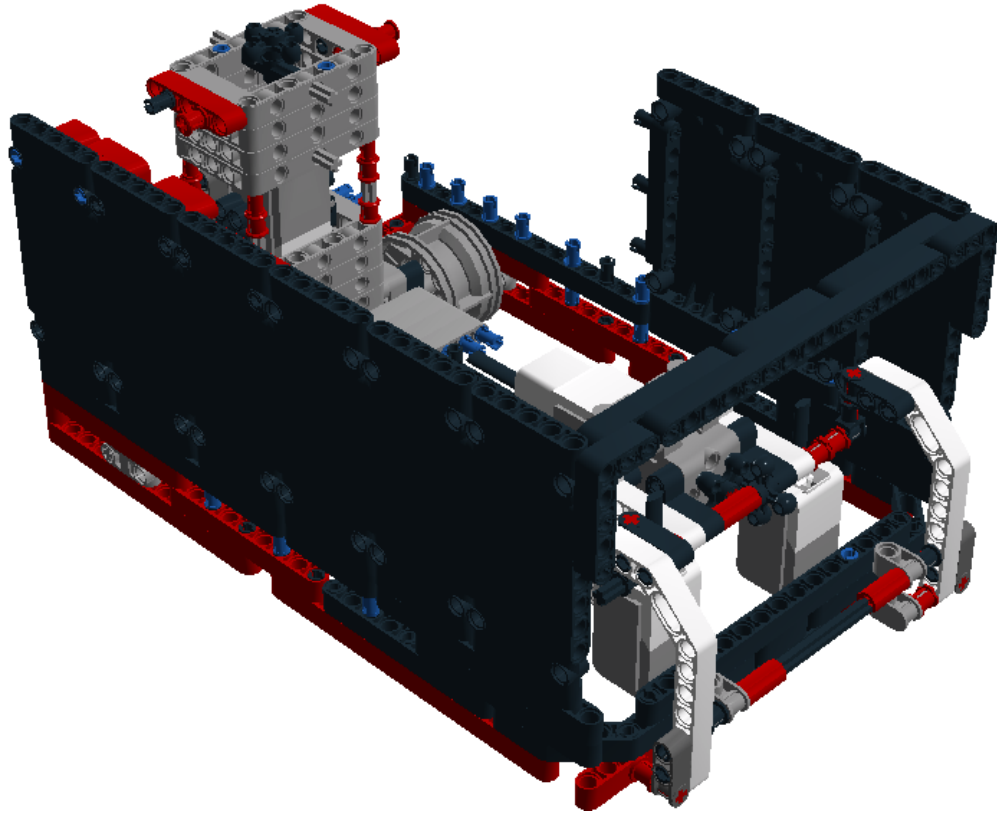


Step 144 of 207



Step 145 of 207



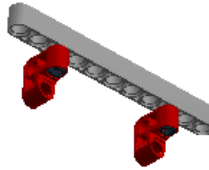
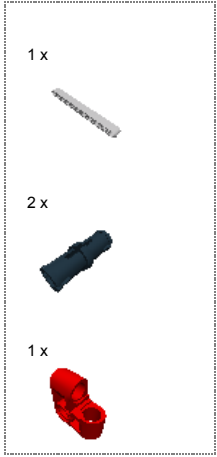


Step 147 of 207

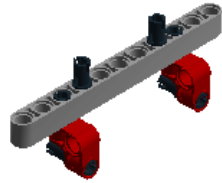


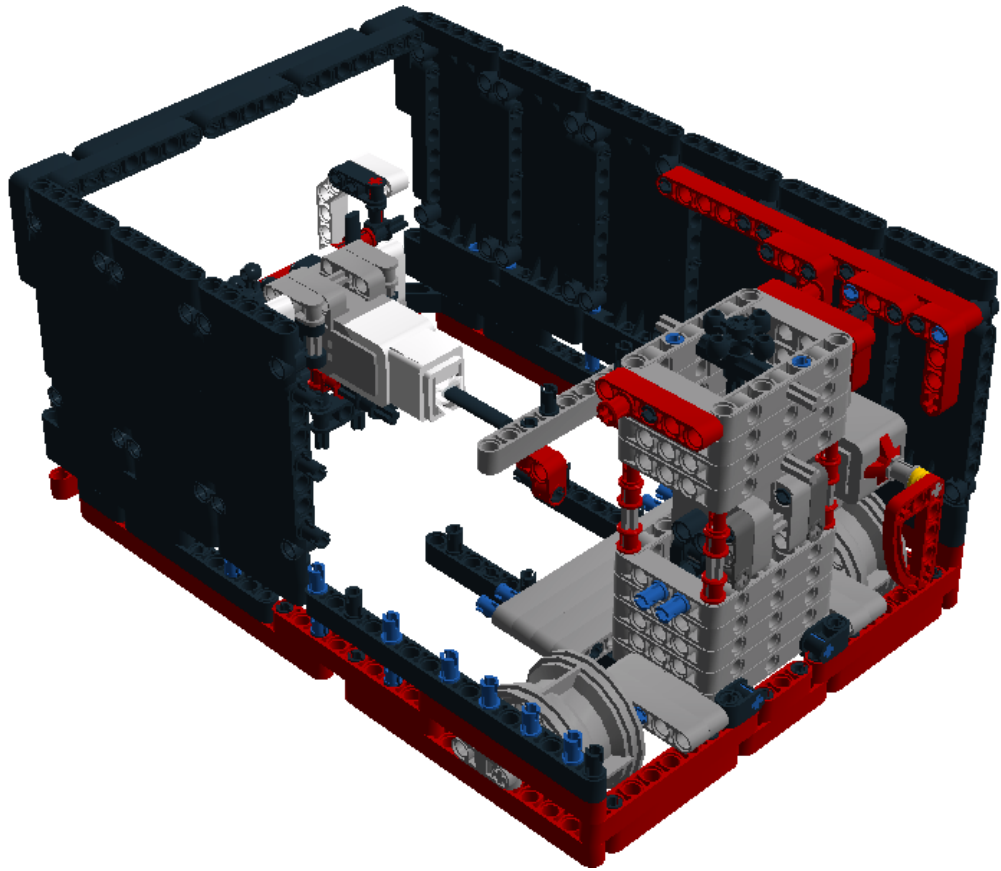


Step 148 of 207

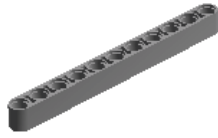
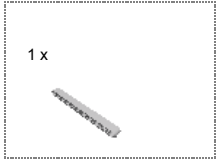


Step 149 of 207

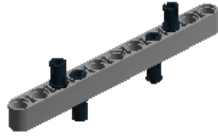


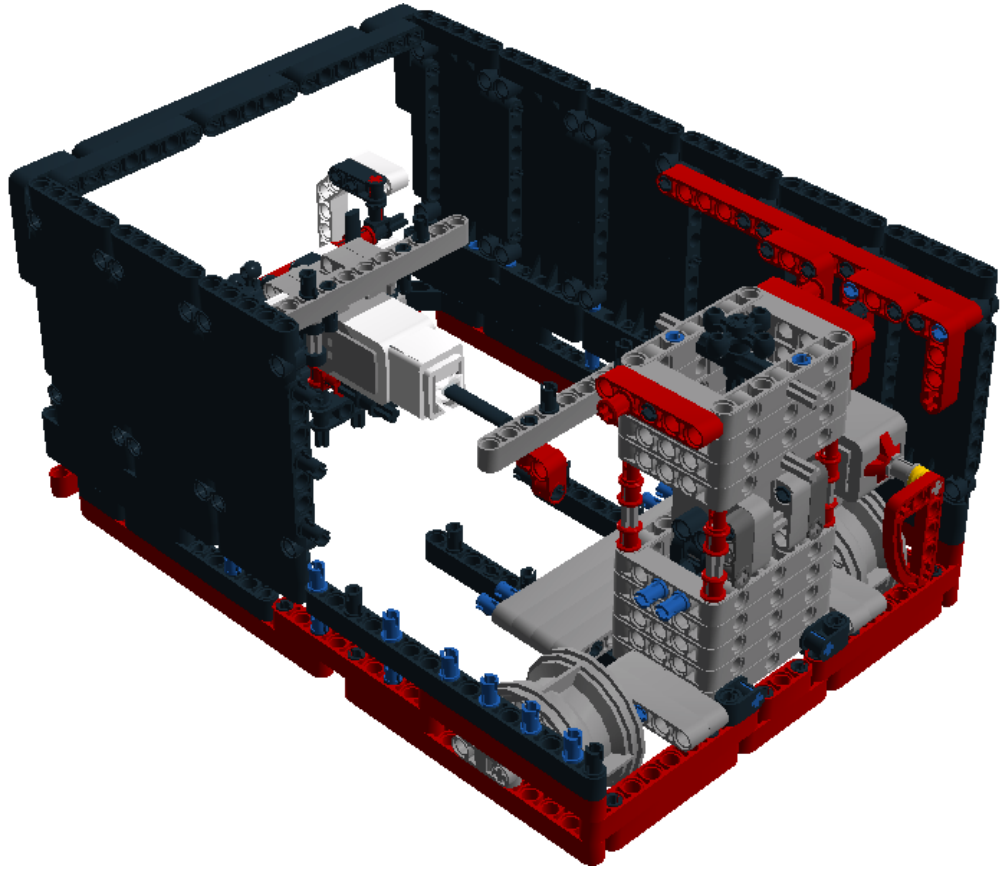


Step 151 of 207



Step 152 of 207





Step 154 of 207

1 x



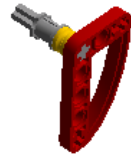
1 x



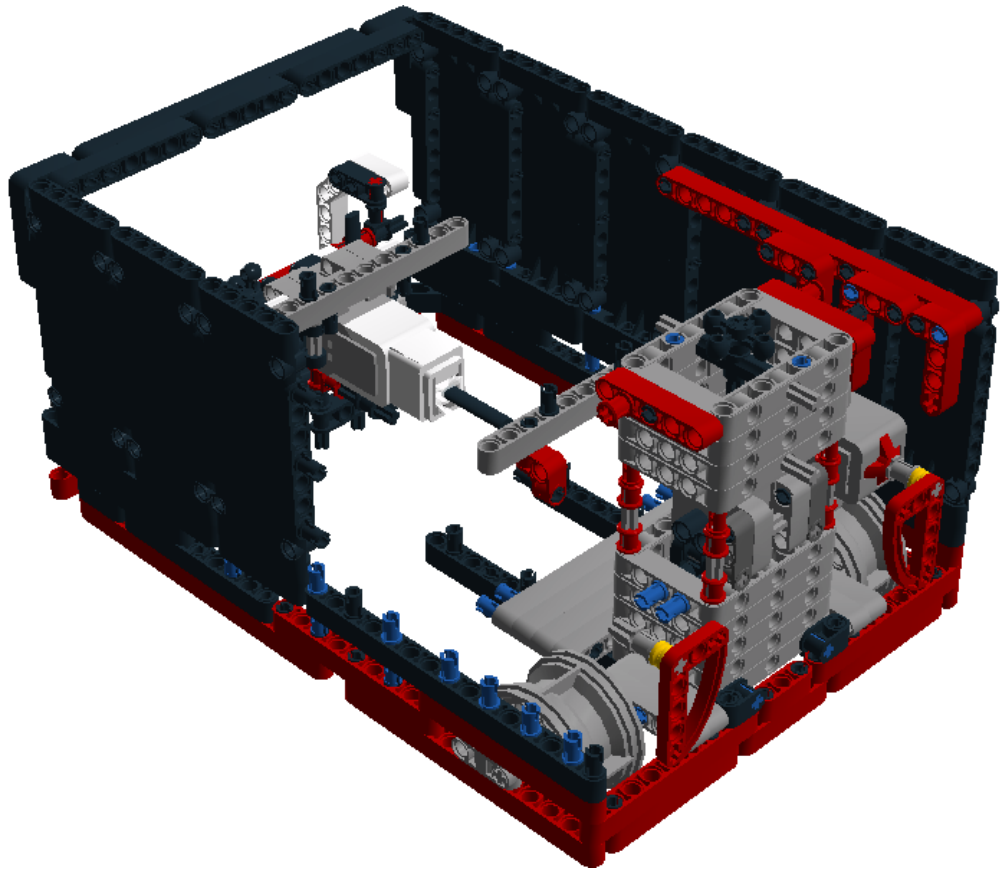
1 x



1 x



Step 155 of 207





Step 156 of 207

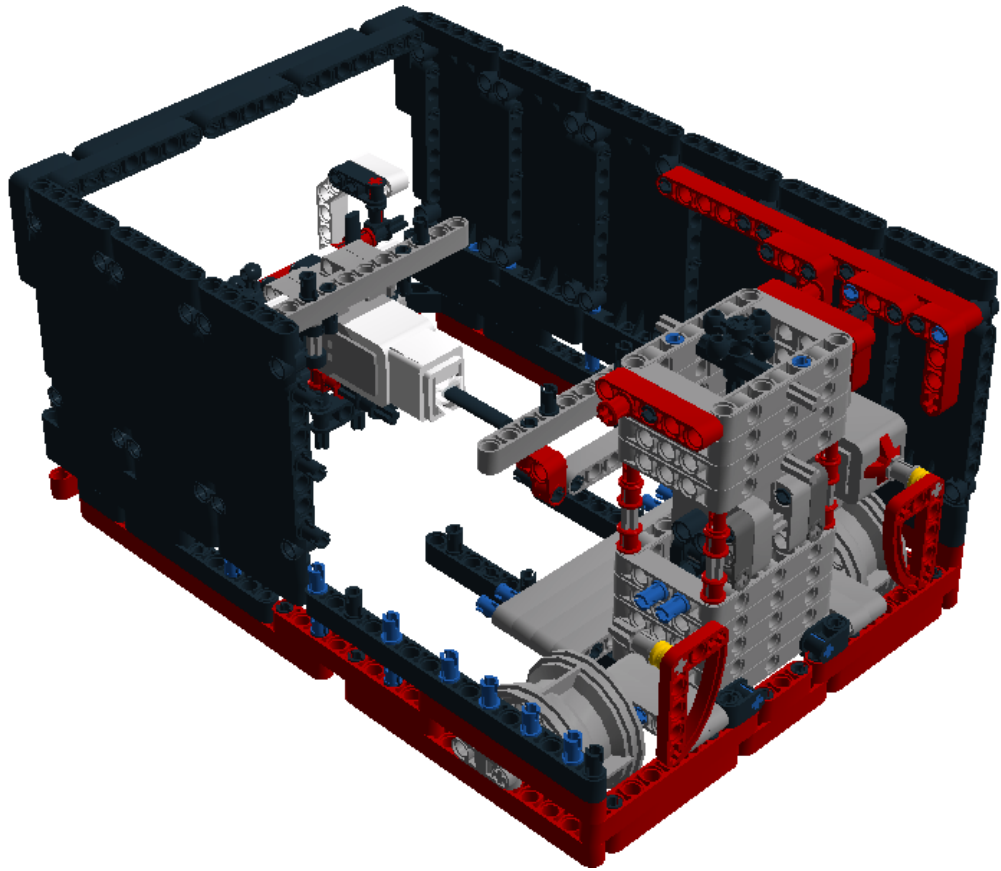
1 x



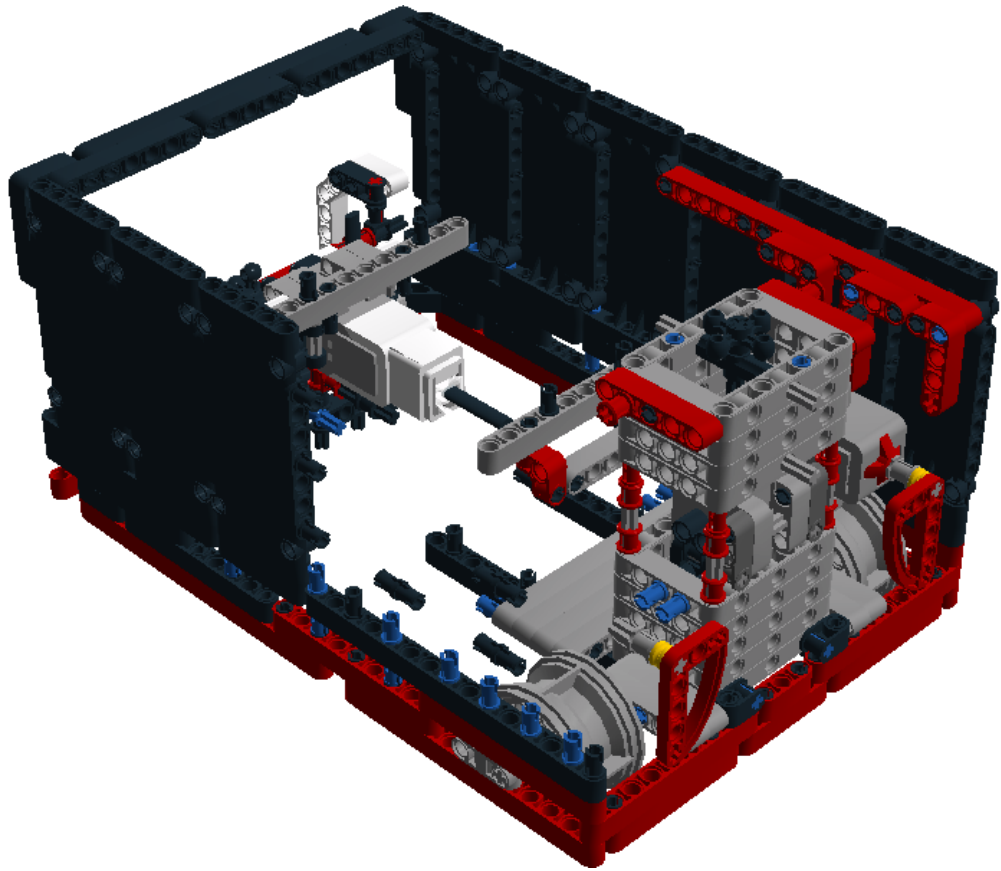
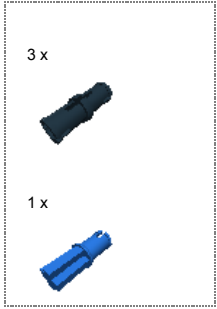
2 x



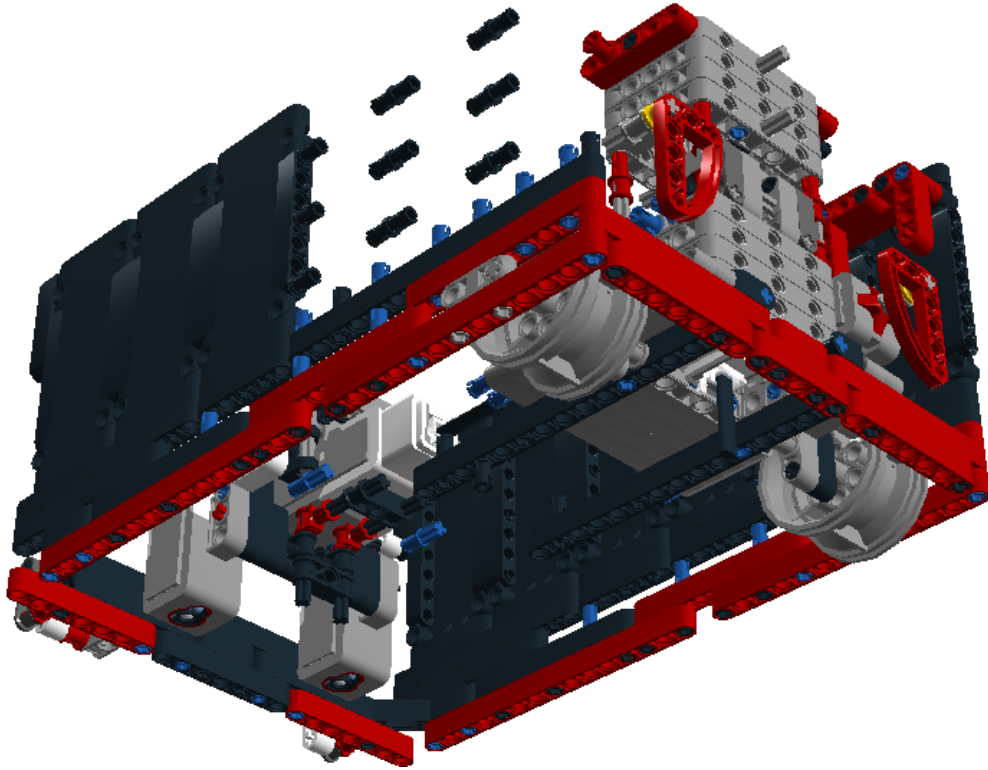
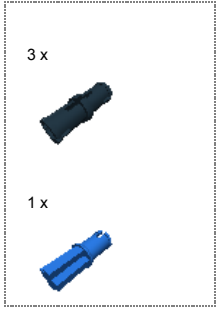
Step 157 of 207



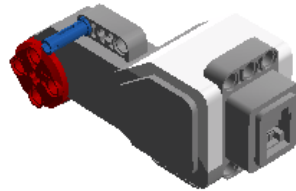
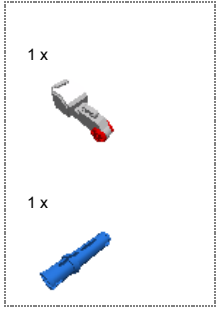
Step 158 of 207



Step 159 of 207



Step 160 of 207



Step 161 of 207

1 x



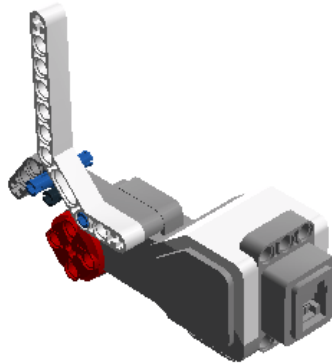
1 x



1 x



1 x



Step 162 of 207

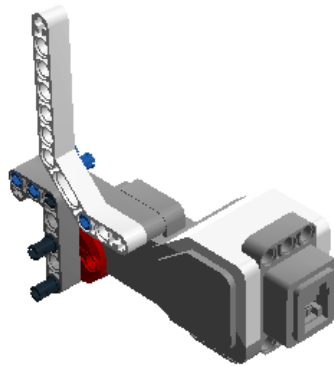
1 x



2 x



1 x







Step 164 of 207

1 x



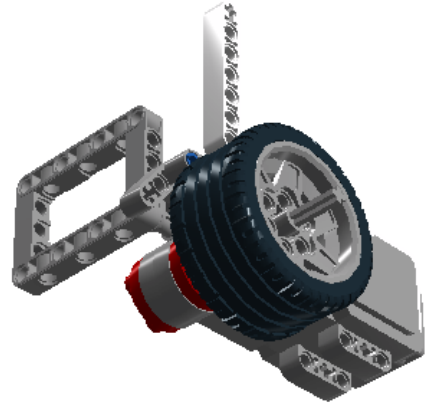
1 x



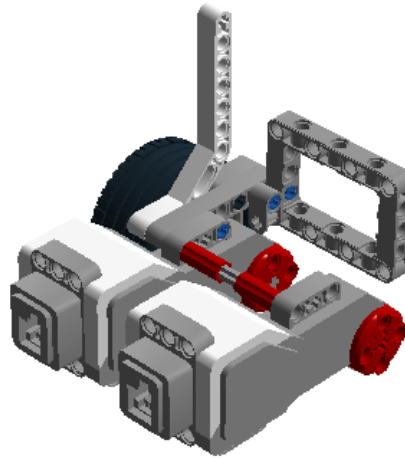
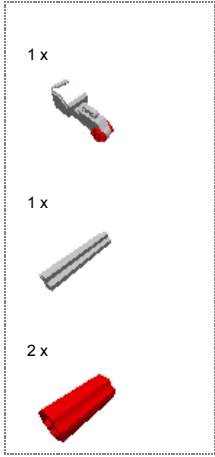
1 x



1 x



Step 165 of 207



Step 166 of 207

1 x



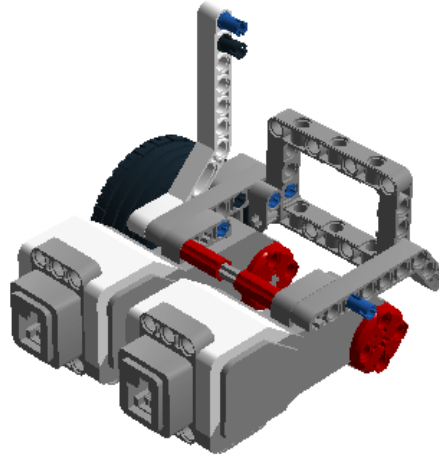
1 x



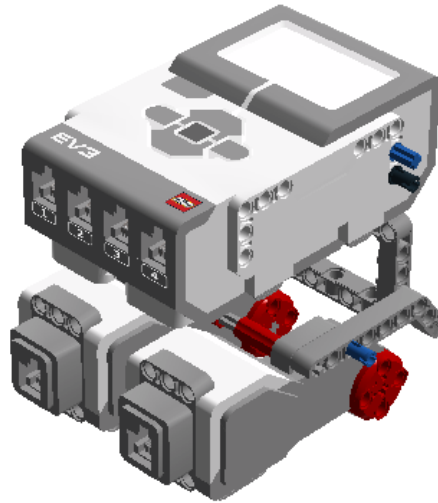
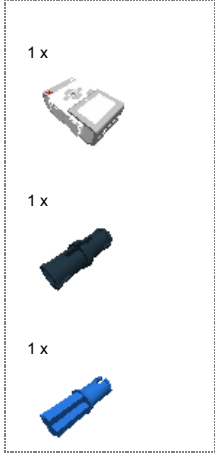
1 x



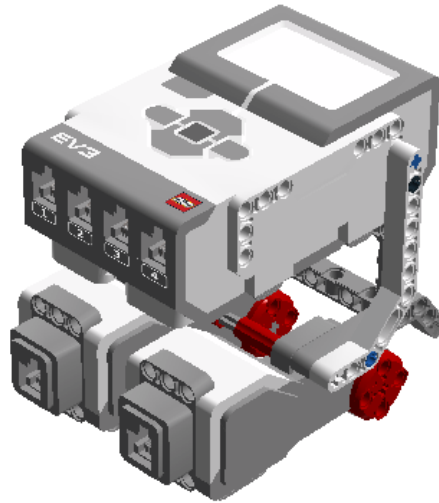
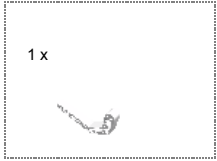
1 x



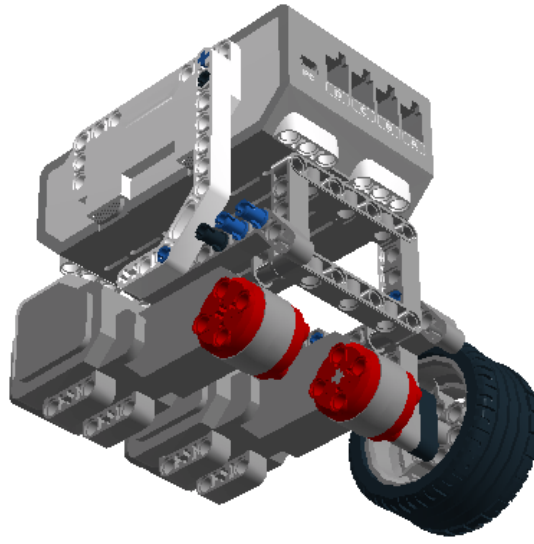
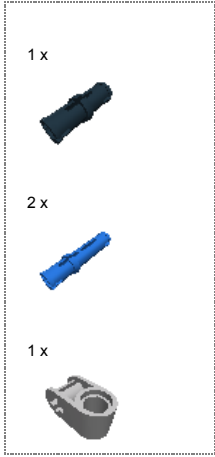
Step 167 of 207



Step 168 of 207



Step 169 of 207

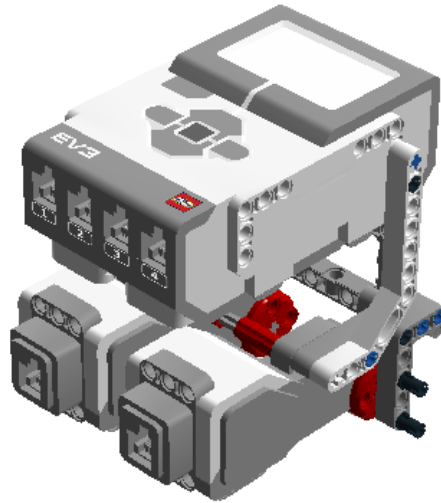


Step 170 of 207

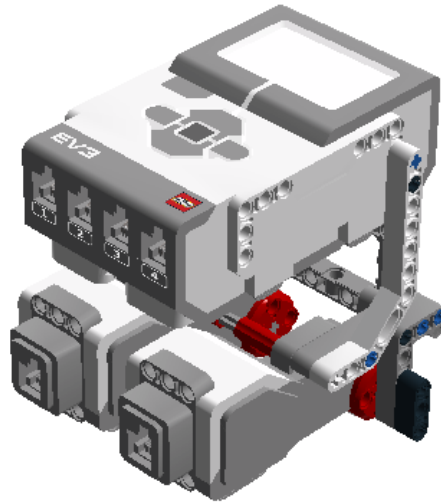
1 x



2 x

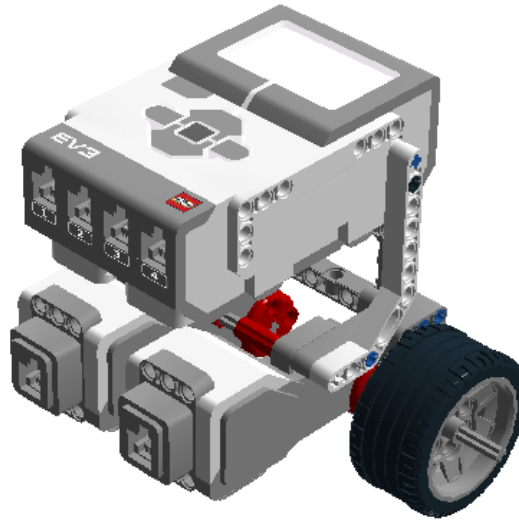


Step 171 of 207

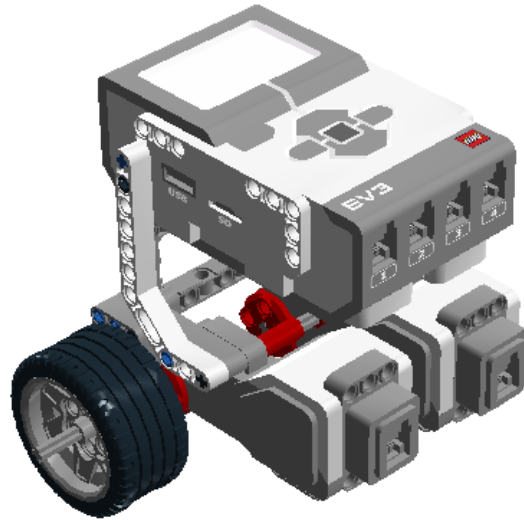




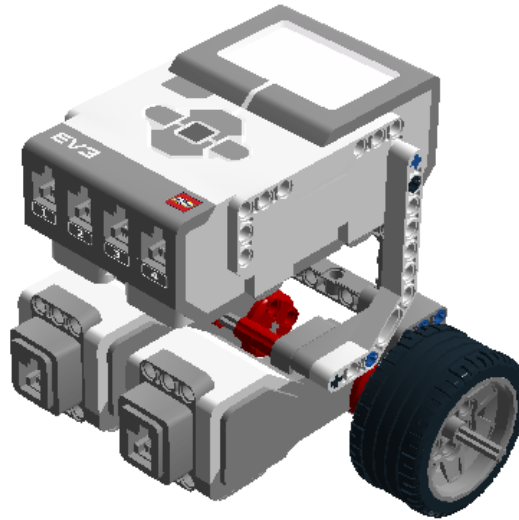
Step 172 of 207



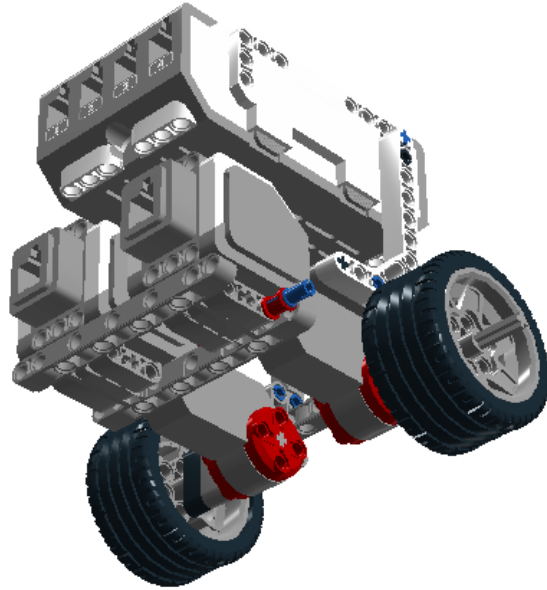
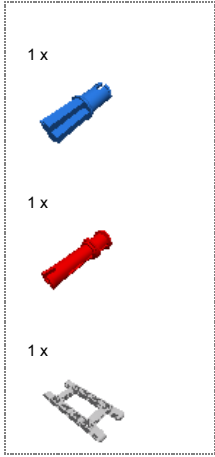
Step 173 of 207



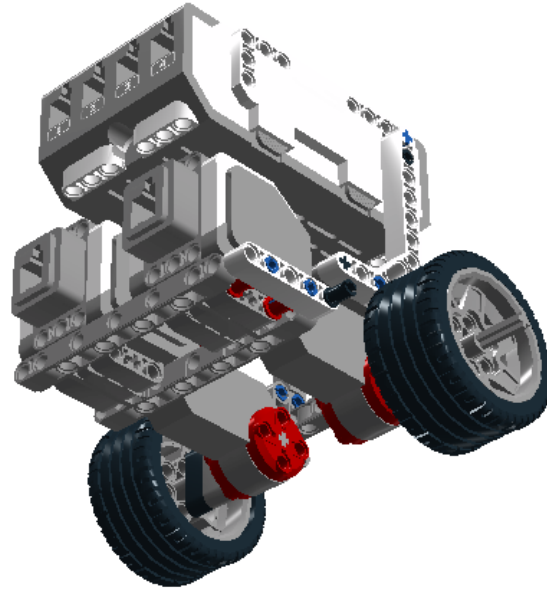
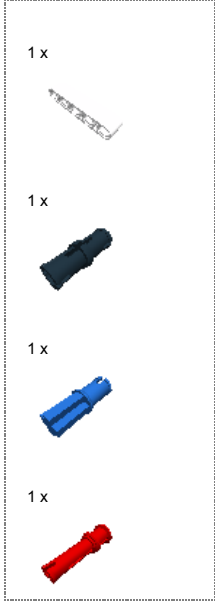
Step 174 of 207



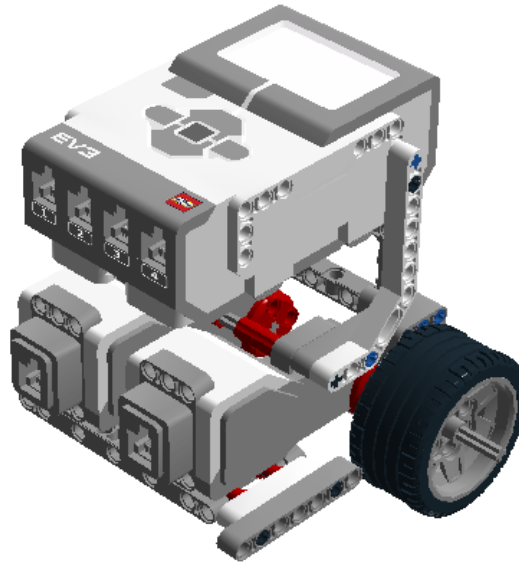
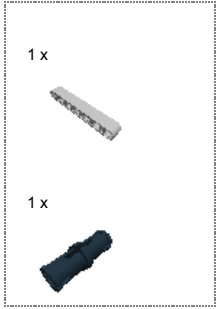
Step 175 of 207



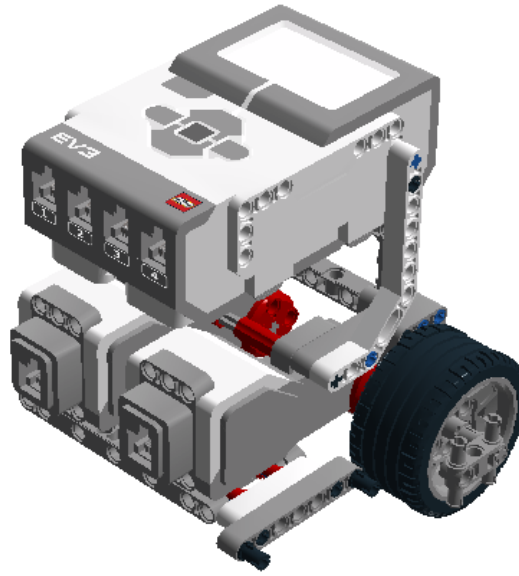
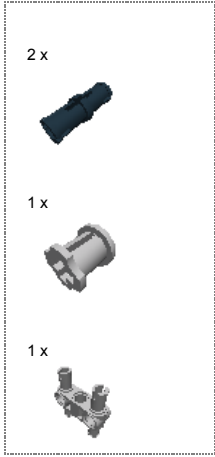
Step 176 of 207



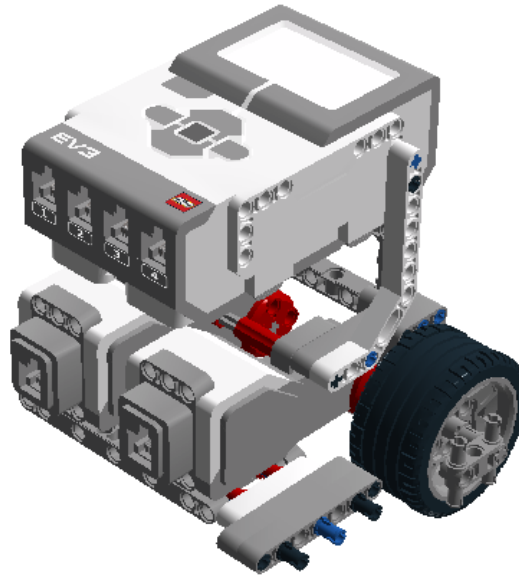
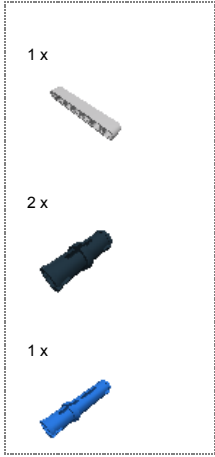
Step 177 of 207



Step 178 of 207

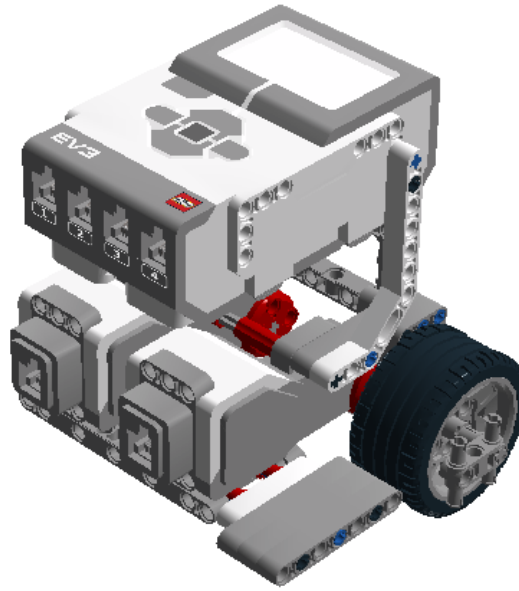
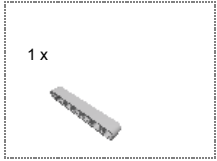


Step 179 of 207

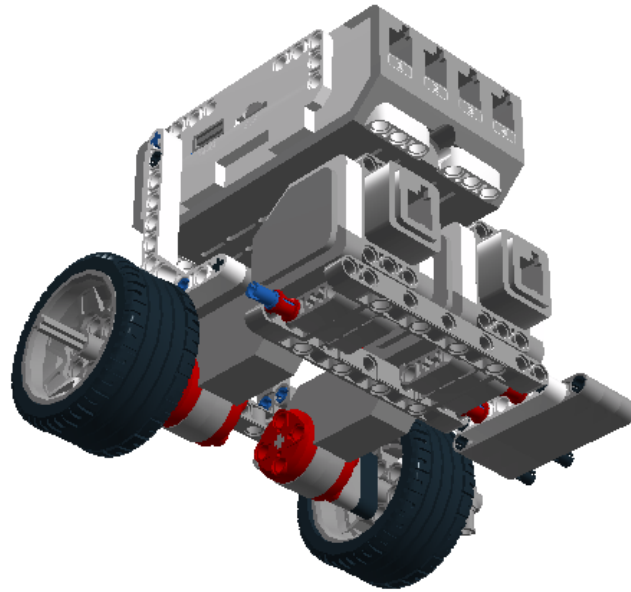
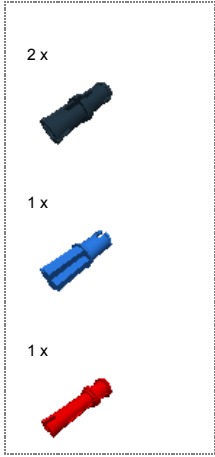




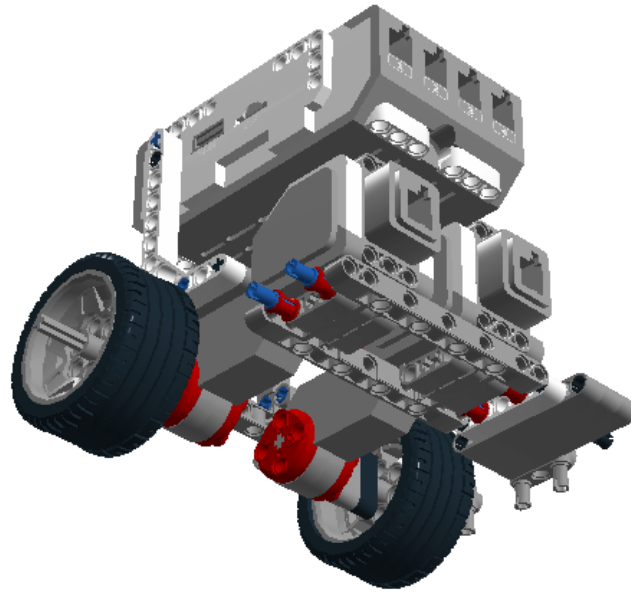
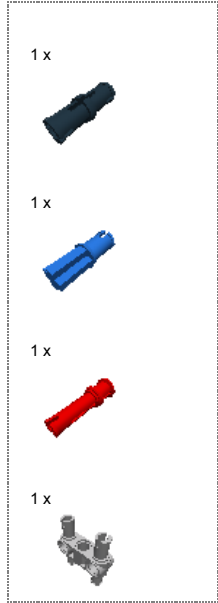
Step 180 of 207



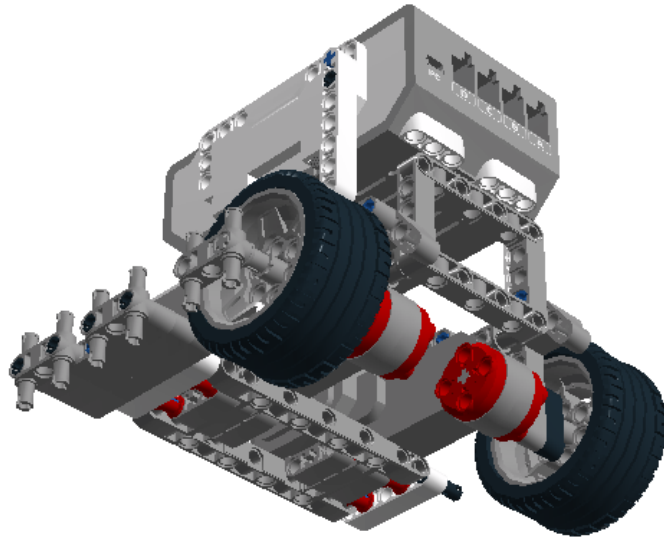
Step 181 of 207



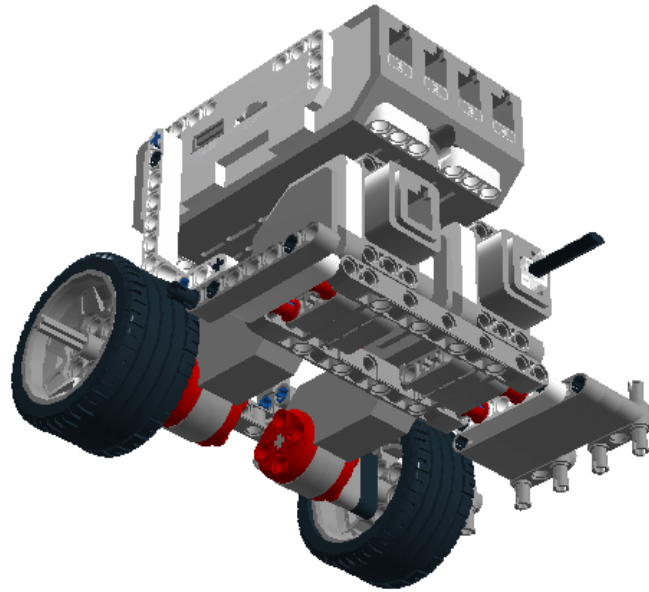
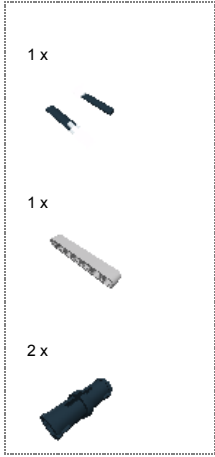
Step 182 of 207



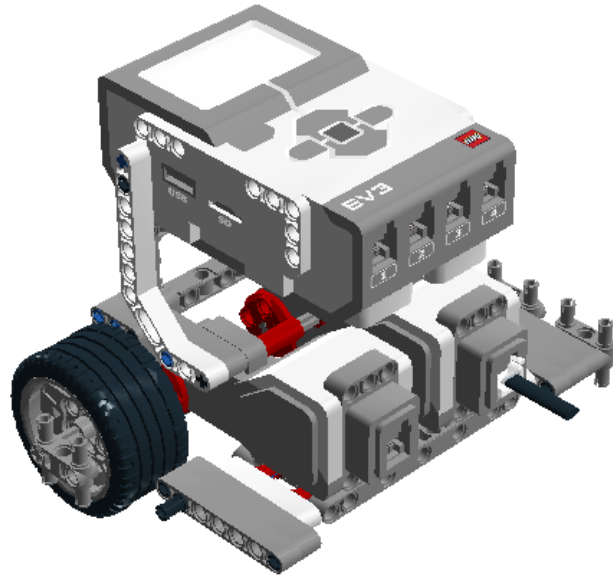
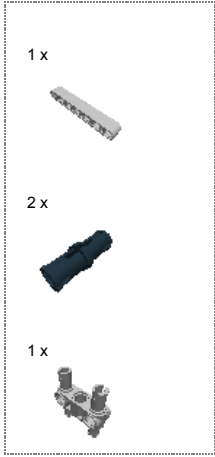
Step 183 of 207



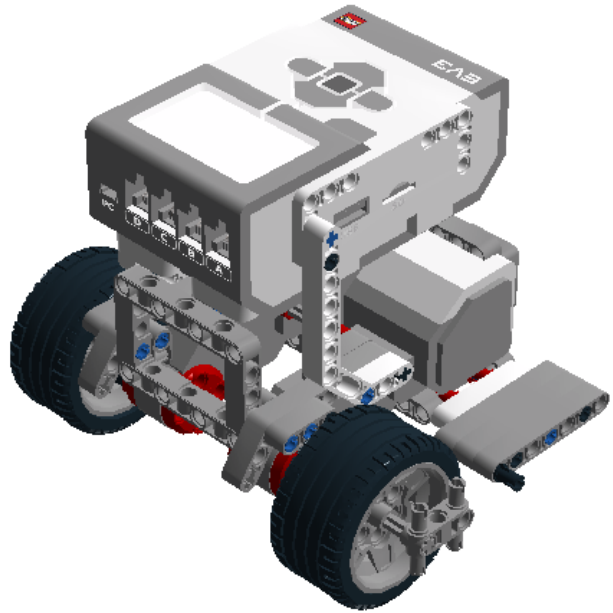
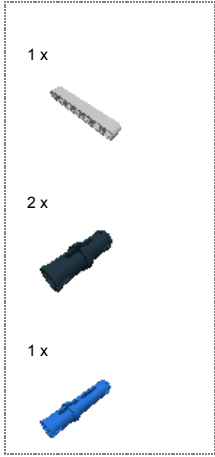
Step 184 of 207



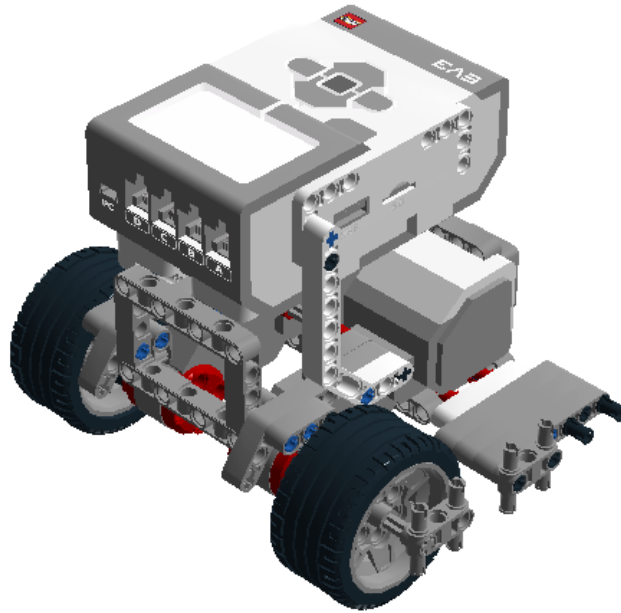
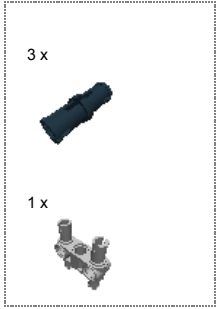
Step 185 of 207



Step 186 of 207

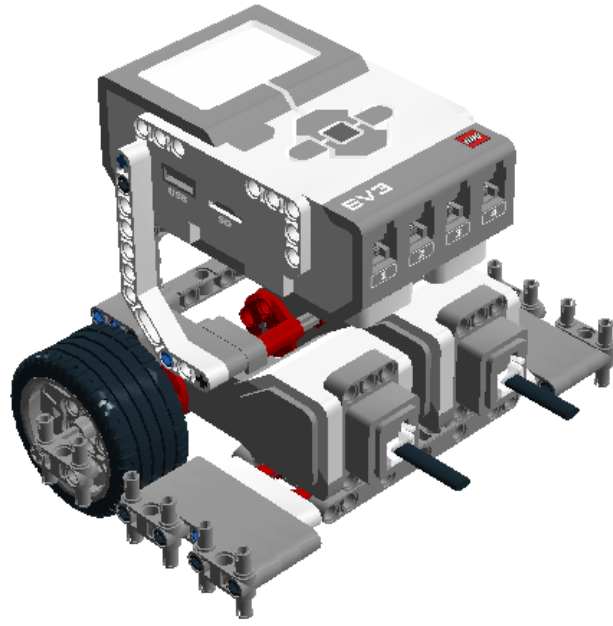
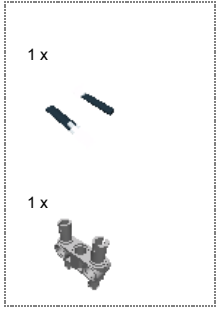


Step 187 of 207







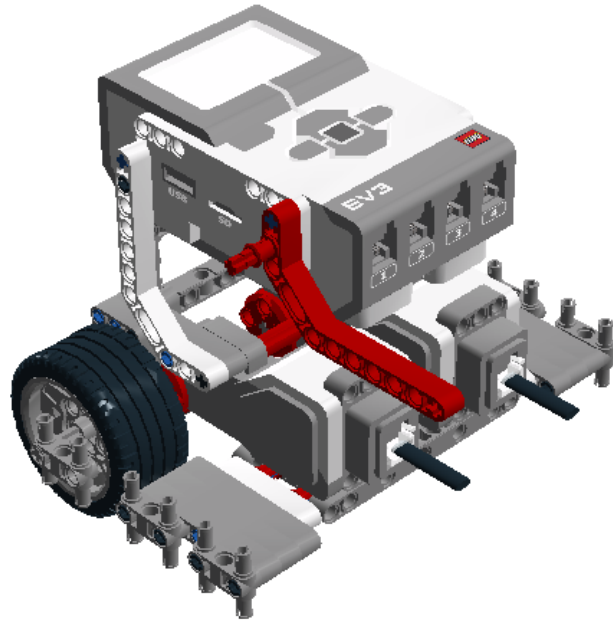


Step 188 of 207







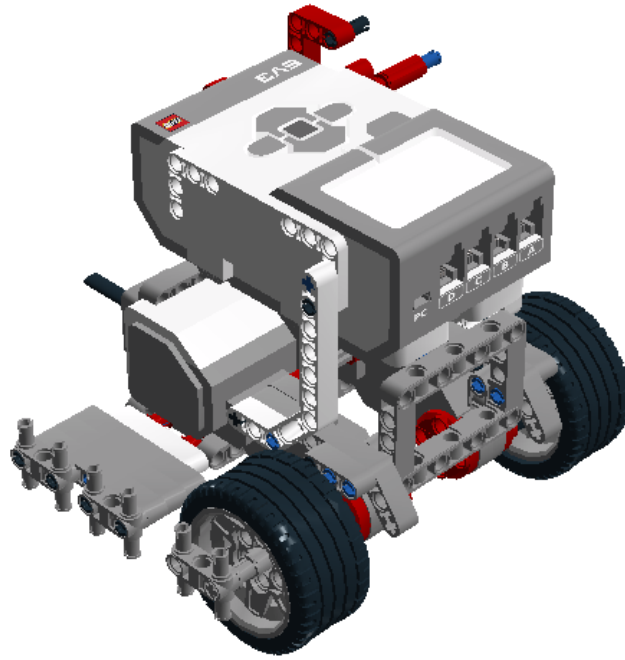
Step 189 of 207

- 1 x 
- 1 x 
- 1 x 
- 1 x 

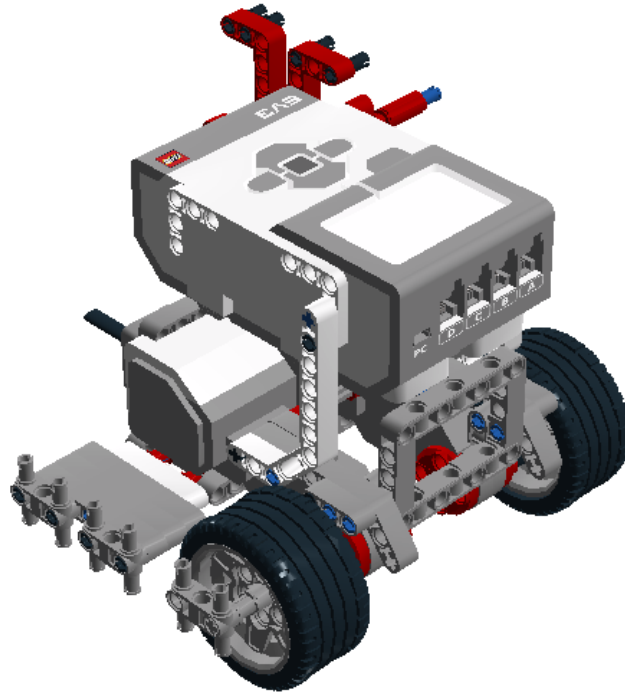
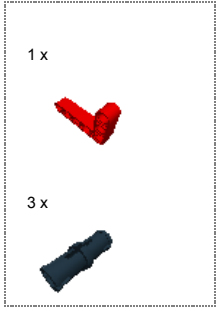


Step 190 of 207

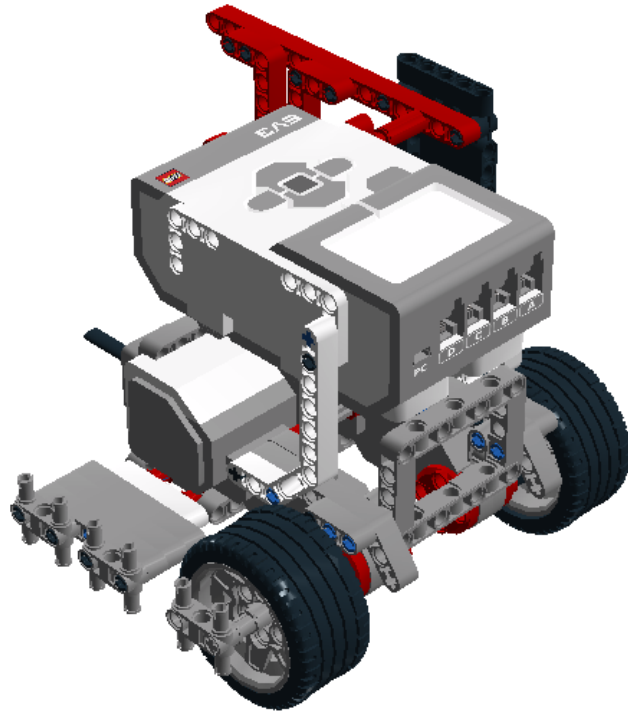
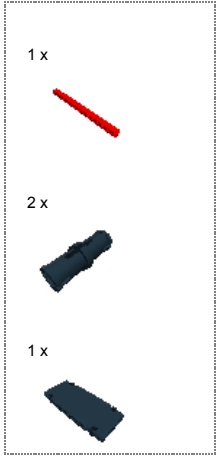
- 1 x 
- 1 x 
- 1 x 
- 1 x 



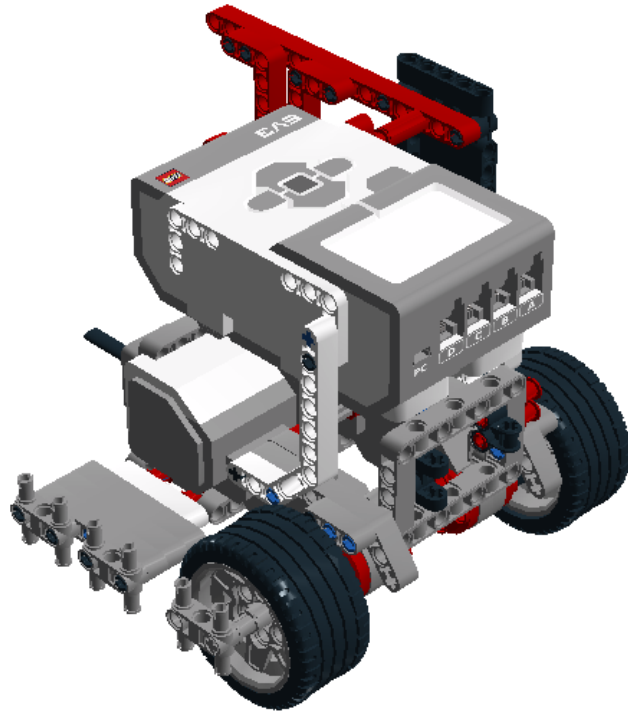
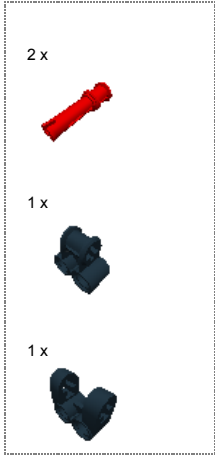
Step 191 of 207



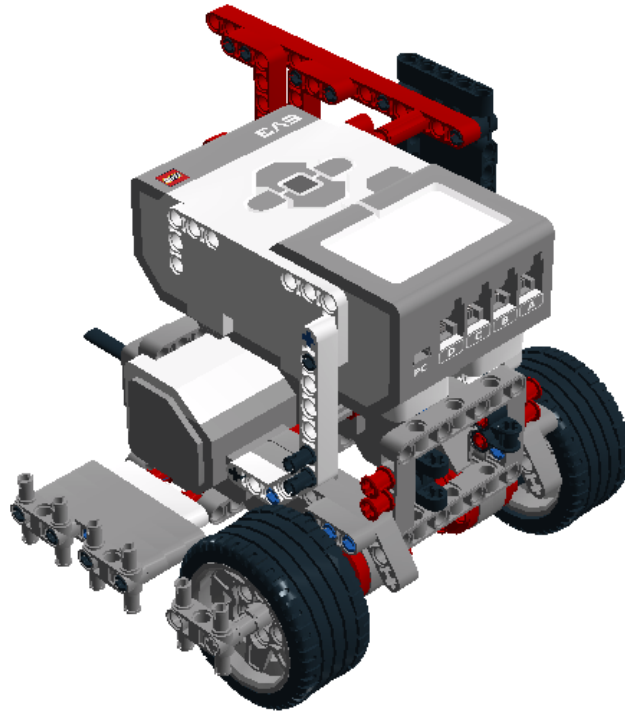
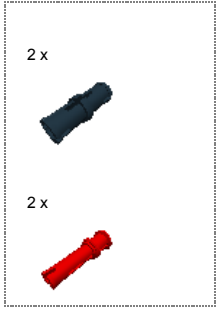
Step 192 of 207



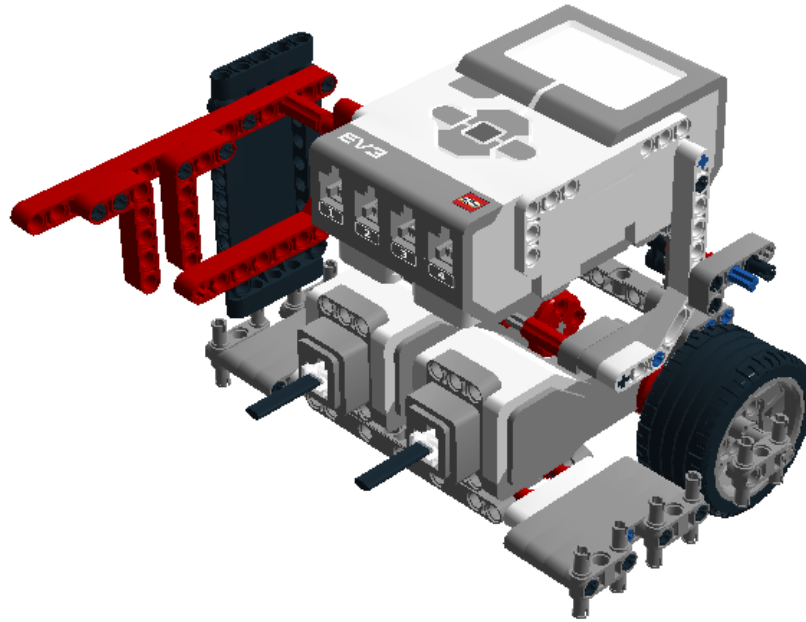
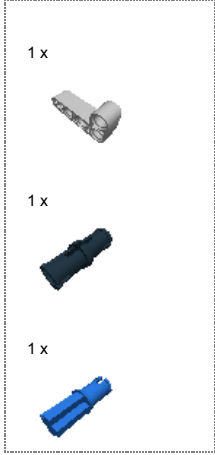
Step 193 of 207



Step 194 of 207

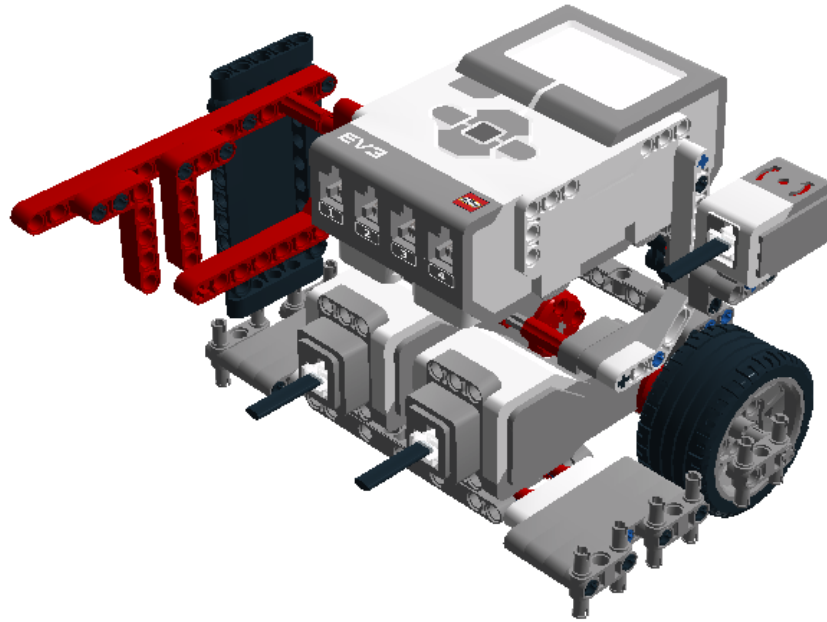
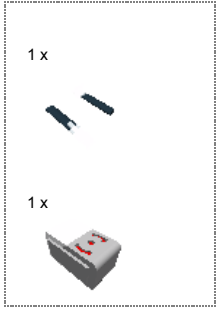


Step 195 of 207

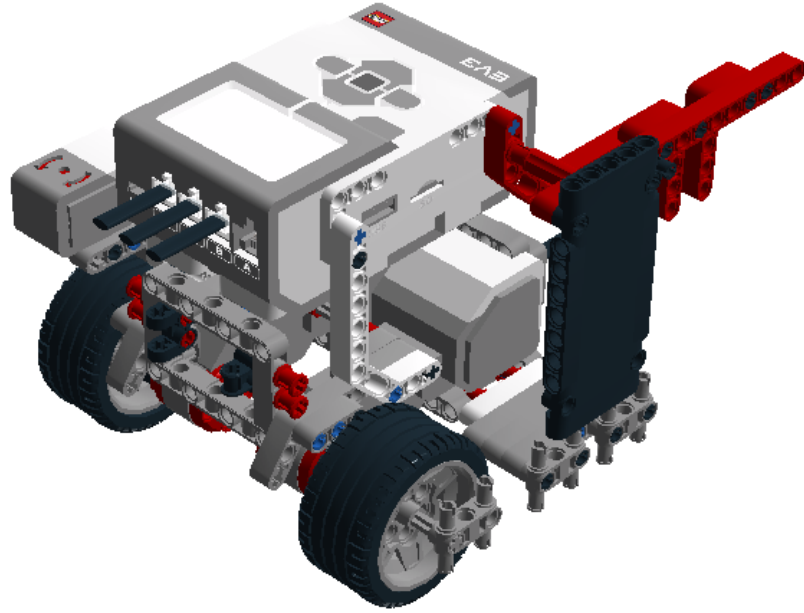
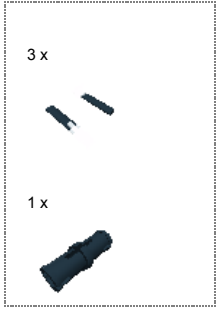




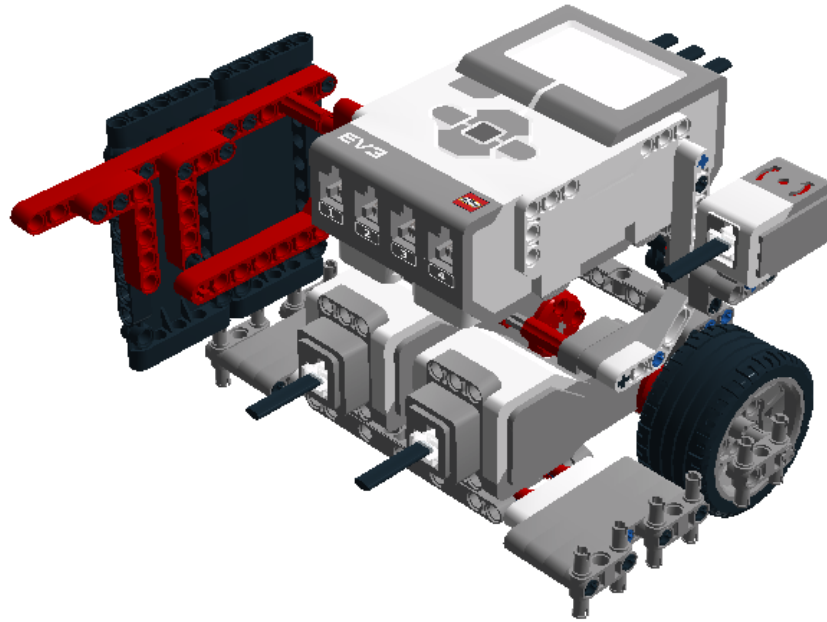
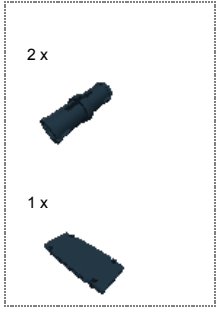
Step 196 of 207



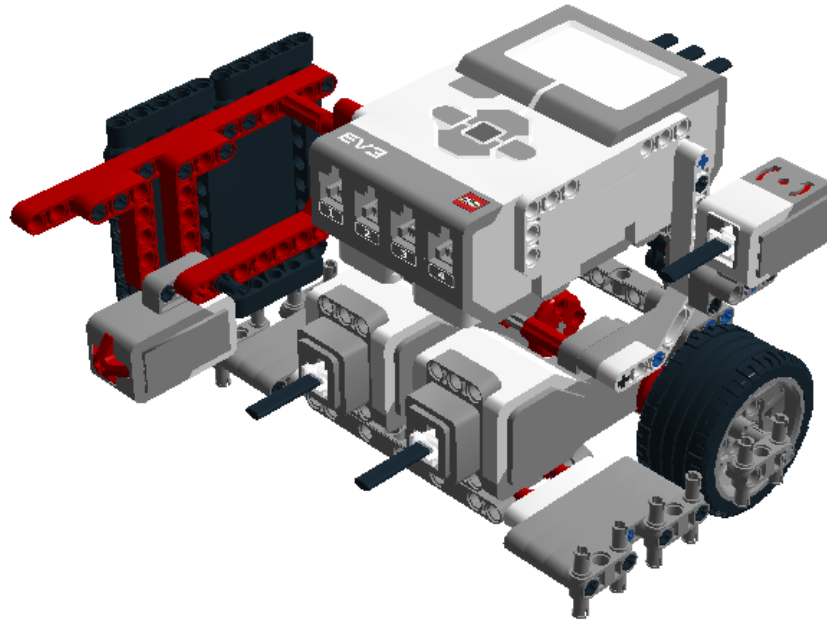
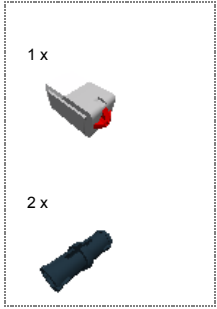
Step 197 of 207



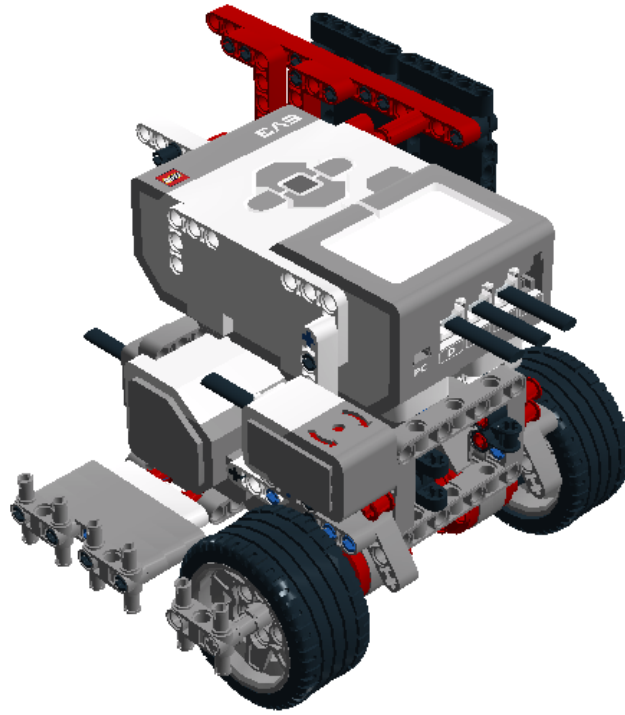
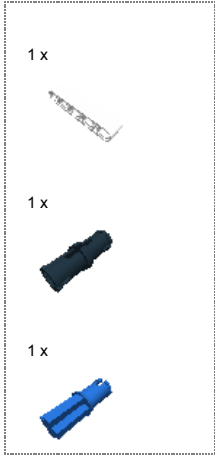
Step 198 of 207



Step 199 of 207



Step 200 of 207

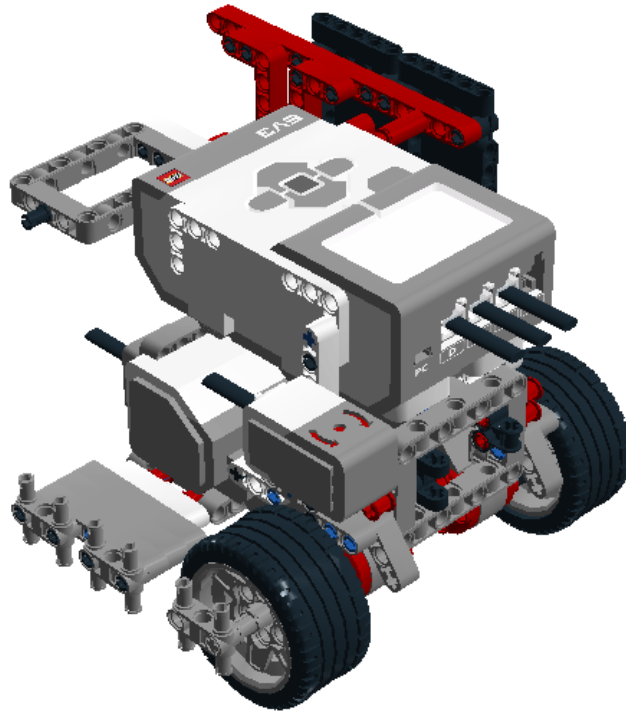


Step 201 of 207

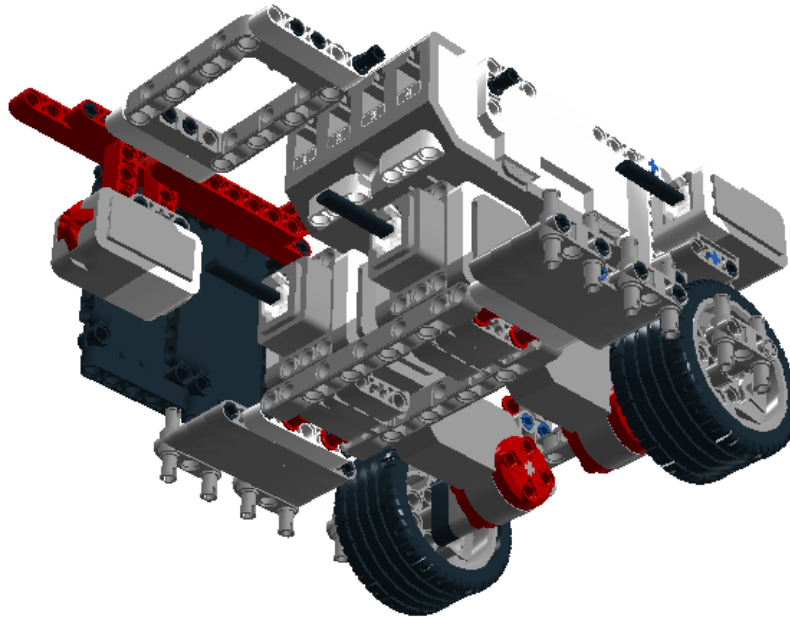
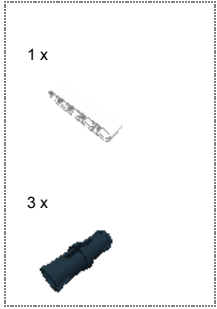
2 x






1 x

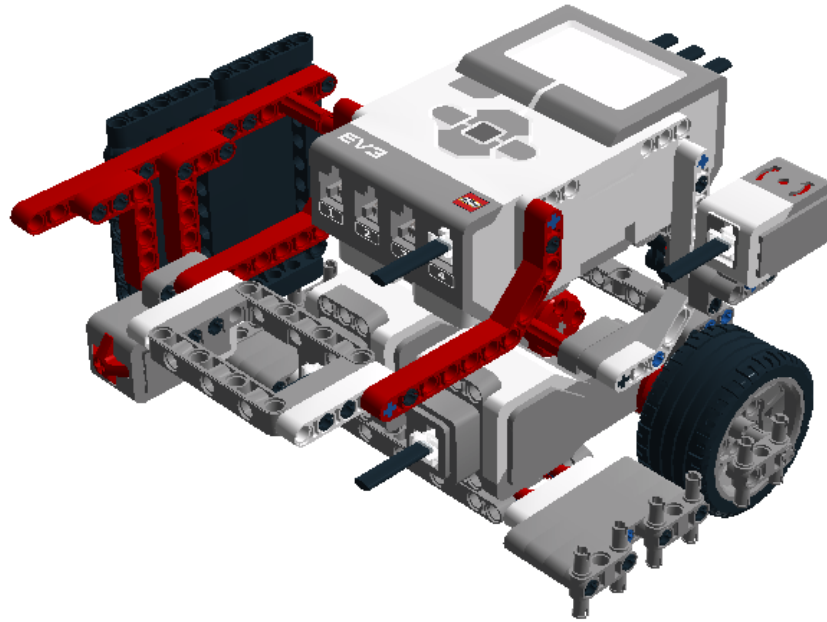


Step 202 of 207



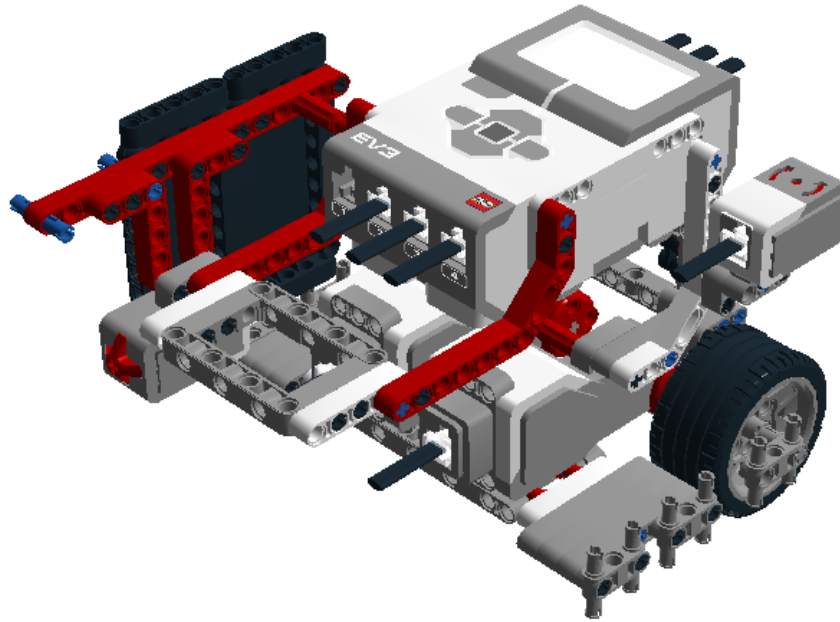
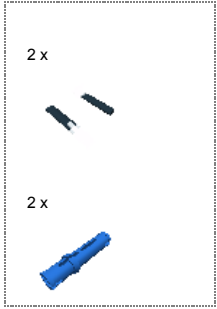
Step 203 of 207

- 1 x 
- 1 x 
- 2 x 







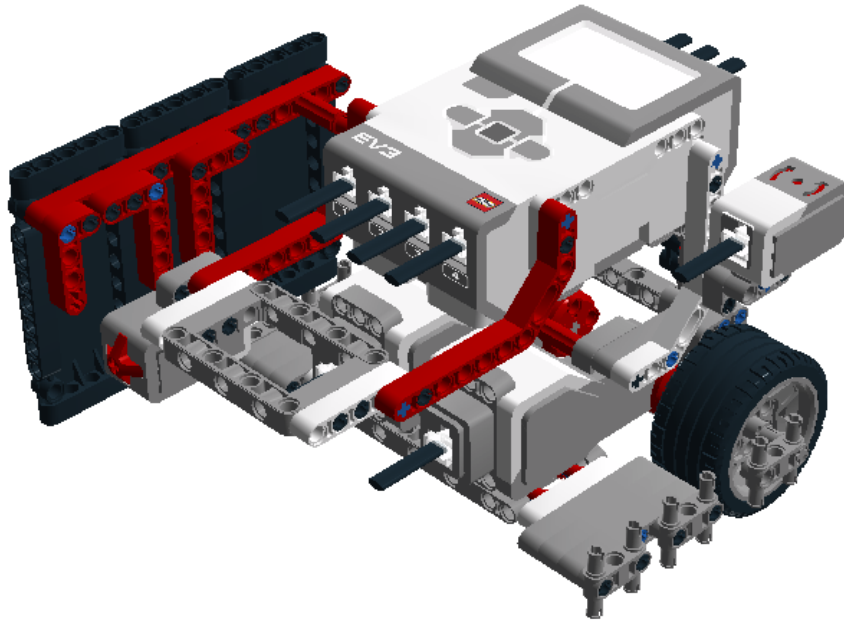


Step 204 of 207

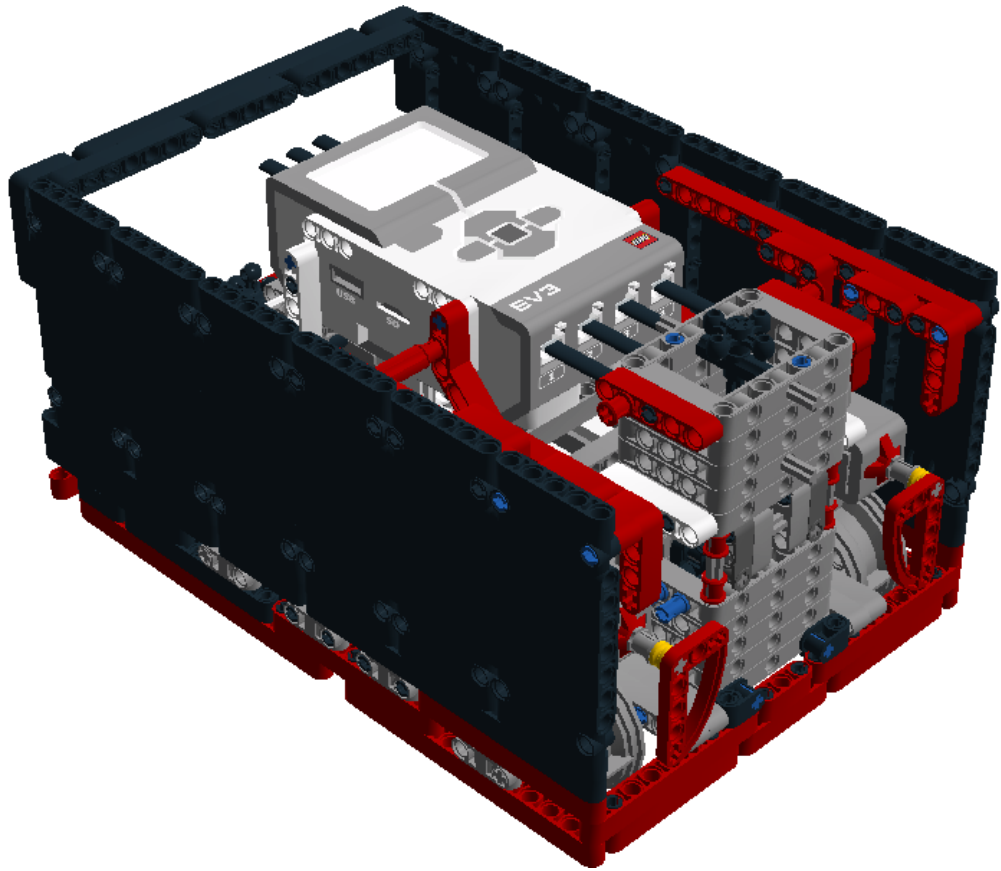


Step 205 of 207

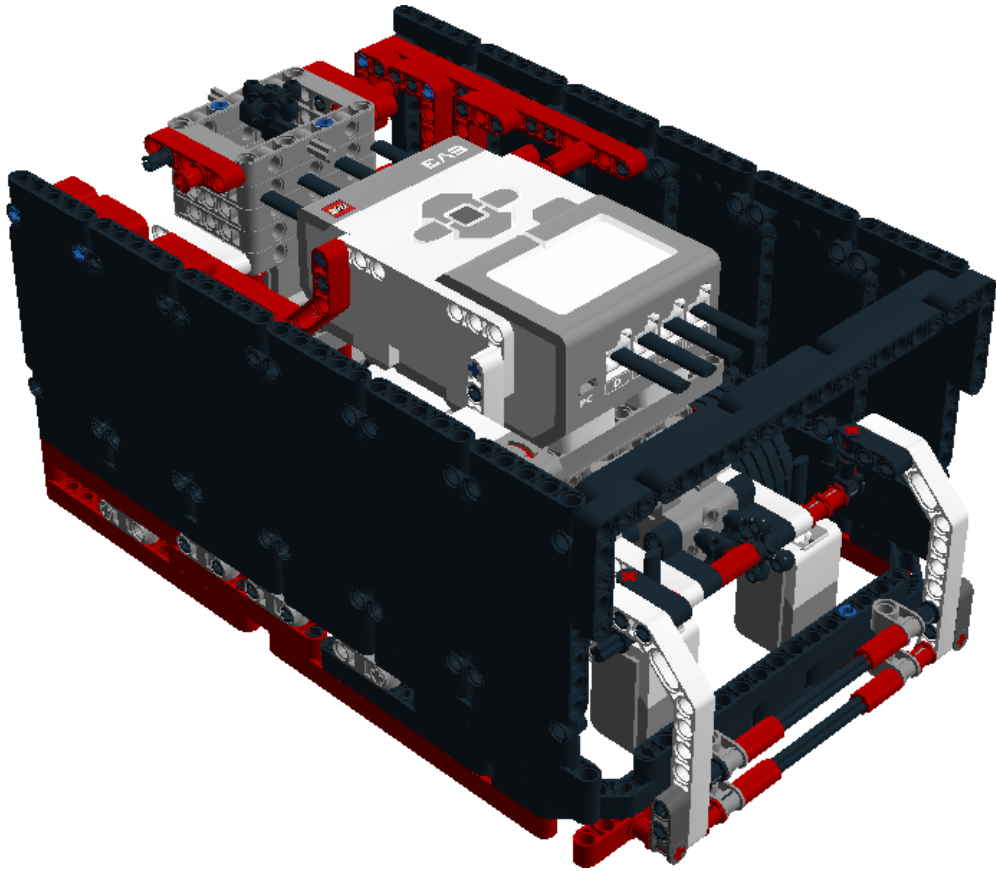
- 1 x 
- 1 x 
- 1 x 
- 1 x 



Step 206 of 207




Step 207 of 207





4 x  4634091 RIM WIDE 43,2X26 W 6  
HOL.Ø 4.8 - Medium Stone Grey


2 x  4192763 TYRE LOW WIDE Ø56 X 28  
- Black


16 x  6024583 CABLE 350 MM -  
Black, Transparent


2 x  6008919 MS, EV3, SENSOR,  
COLOUR - White, Bright Red, Black, Medium Blue, Medium Stone Grey

1 x  6008916 MS, EV3, GYRO SENSOR -  
White, Bright Red, Medium Stone Grey, Silver Metallic

2 x  6008472 MS, EV3, TOUCH SENSOR  
- White, Bright Red, Medium Stone Grey, Silver Metallic

2 x  6008577 SMALL MOTOR -  
White, Bright Red, Medium Stone Grey, Silver Metallic


2 x  6009430 MS 2013 ENGINE -  
White, Bright Red, Medium Stone Grey

1 x  MS-EV3, P-BRICK -  
White, Transparent, Medium Stone Grey, Dark Stone Grey, Silver Metallic

9 x  4142822 TECHNIC 3M BEAM - Black


1 x  4153718 TECHNIC 3M BEAM - Bright  
Red


3 x  4140429 TECHNIC 5M BEAM - Black


3 x  4211651 TECHNIC 5M BEAM -  
Medium Stone Grey


4 x  4140465 TECHNIC 5M BEAM - White


3 x  4128589 TECHNIC 5M BEAM - Bright  
Red

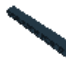
3 x  3252426 TECHNIC 7M BEAM - Black

6 x  4211665 TECHNIC 7M BEAM -  
Medium Stone Grey


4 x  4162098 TECHNIC 7M BEAM - Bright  
Red


1 x  4211610 TECHNIC ANG. BEAM 4X2  
90 DEG - Medium Stone Grey


2 x  4125200 TECHNIC ANG. BEAM 4X2  
90 DEG - Bright Red


4 x  4154767 TECHNIC 9M BEAM - Black


6 x  4192225 TECHNIC 9M BEAM - Bright  
Red


2 x  4535771 T-BEAM 3X3 W/HOLE Ø4.8  
- Black


2 x  4156150 TECHNIC 11M BEAM -  
Black


6 x  4156151 TECHNIC 11M BEAM -  
Medium Stone Grey


2 x  4262082 TECHNIC 13M BEAM -  
Bright Red


6 x  4128603 TECHNIC 15M BEAM -  
Black


4 x  3227821 TECHNIC 15M BEAM -  
Bright Red


2 x  4142823 TECHNIC ANG. BEAM 3X5  
90 DEG. - Black


4 x  4211713 TECHNIC ANG. BEAM 3X5  
90 DEG. - Medium Stone Grey


2 x  3252601 TECHNIC ANG. BEAM 3X5  
90 DEG. - White

4 x  4143154 TECHNIC ANG. BEAM 3X5  
90 DEG. - Bright Red

2 x  4211624 TECHNIC ANGULAR BEAM  
3X7 - Medium Stone Grey

2 x  4107578 DOUBLE ANGULAR BEAM  
3X7 45° - Black

4 x  4125194 DOUBLE ANGULAR BEAM  
3X7 45° - White

2 x  4107577 DOUBLE ANGULAR BEAM  
3X7 45° - Bright Red

2 x		4128553 HALFBEAM CURVE 3X5 - Bright Red	2 x		4239601 1/2 BUSH - Bright Yellow	8 x		4142865 2M CROSS AXLE W. GROOVE - Bright Red
190 x		278026 CONNECTOR PEG W. FRICTION - Black	1 x		451926 CROSS AXLE 3M - Black	18 x		4211815 CROSS AXLE 3M - Medium Stone Grey
13 x		4225927 CONNECTOR PEG/CROSS AXLE - Bright Blue	6 x		4211622 BUSH FOR CROSS AXLE - Medium Stone Grey	8 x		4227155 BUSH FOR CROSS AXLE - Bright Red
7 x		4189110 CONN.BUSH W.FRIC./CROSSALE - Bright Blue	6 x		370526 CROSS AXLE 4M - Black	76 x		4514553 CONNECTOR PEG W. FRICTION 3M - Bright Blue
8 x		4513174 CROSS AXLE, EXTENSION, 2M - Bright Red	2 x		4107081 CATCH W. CROSS HOLE - Black	2 x		4118897 CATCH W. CROSS HOLE - Bright Red
1 x		4211639 CROSS AXLE 5M - Medium Stone Grey	2 x		653626 CROSS BLOCK 90° - Black	6 x		4211775 CROSS BLOCK 90° - Medium Stone Grey
3 x		370626 CROSS AXLE 6M - Black	2 x		4107742 2M FRIC. SNAP W/CROSS HOLE - Black	19 x		4125198 2M FRIC. SNAP W/CROSS HOLE - Bright Red
1 x		4185111 CROSS AXLE 7M - Black	4 x		4211805 CROSS AXLE 7M - Medium Stone Grey	2 x		4121667 DOUBLE CROSS BLOCK - Black
2 x		4107783 ANGLE ELEMENT, 180 DEGREES [2] - Black	2 x		4173970 CROSS BLOCK 3M - Black	4 x		4210857 CROSS BLOCK 3M - Dark Stone Grey
2 x		4211779 CROSS BLOCK 3M - Medium Stone Grey	2 x		4535768 CROSS AXLE 9M - Medium Stone Grey	6 x		4140430 TECHNIC CROSS BLOCK 2X1 - Black
4 x		4162857 TECHNIC CROSS BLOCK/FORK 2X2 - Black	2 x		4227075 HTO V BEAM 90 DEGR. - Bright Red	8 x		4225033 BEAM 3 M. W/4 SNAPS - Medium Stone Grey
11 x		4539880 BEAM FRAME 5X7 Ø 4.85 - Medium Stone Grey	1 x		4540797 BEAM H. FRAME 5X11 Ø4.85 - Medium Stone Grey	12 x		4566243 FLAT PANEL - Black

3 x



4248204 TECHNIC ANGULAR  
WHEEL - Black

© 2012 The LEGO Group. All rights reserved.  
Use of the LEGO Digital Designer html print tool, signifies your agreement to the terms of use.